
TURBO

TURBO



CATALOGO PARTI DI RICAMBIO
CATALOGUE PIECES DETACHEES
ERSATZEILKATALOG
PARTS MANUAL



N.B.: DIAGRAMMA E PARTICOLARI DELL'IMPIANTO ELETTRICO SONO RIPORTATI NEL MANUALE USO E MANUTENZIONE

N.B.: ELECTRIC DIAGRAM AND EQUIPMENT QUOTED IN THE USE AND MAINTENANCE HANDBOOK

N.B.: SYSTEME ET EQUIPEMENT ELECTRIQUE INDIQUEES DANS LA NOTICE D'EMPLOI ET ENTRETIEN

N.B.: INBEZÜG AUF DIE ELEKTRISCHE ANLAGE, DIE WARTUNGS UND BEDIENUNGSLEITUNG LESEN

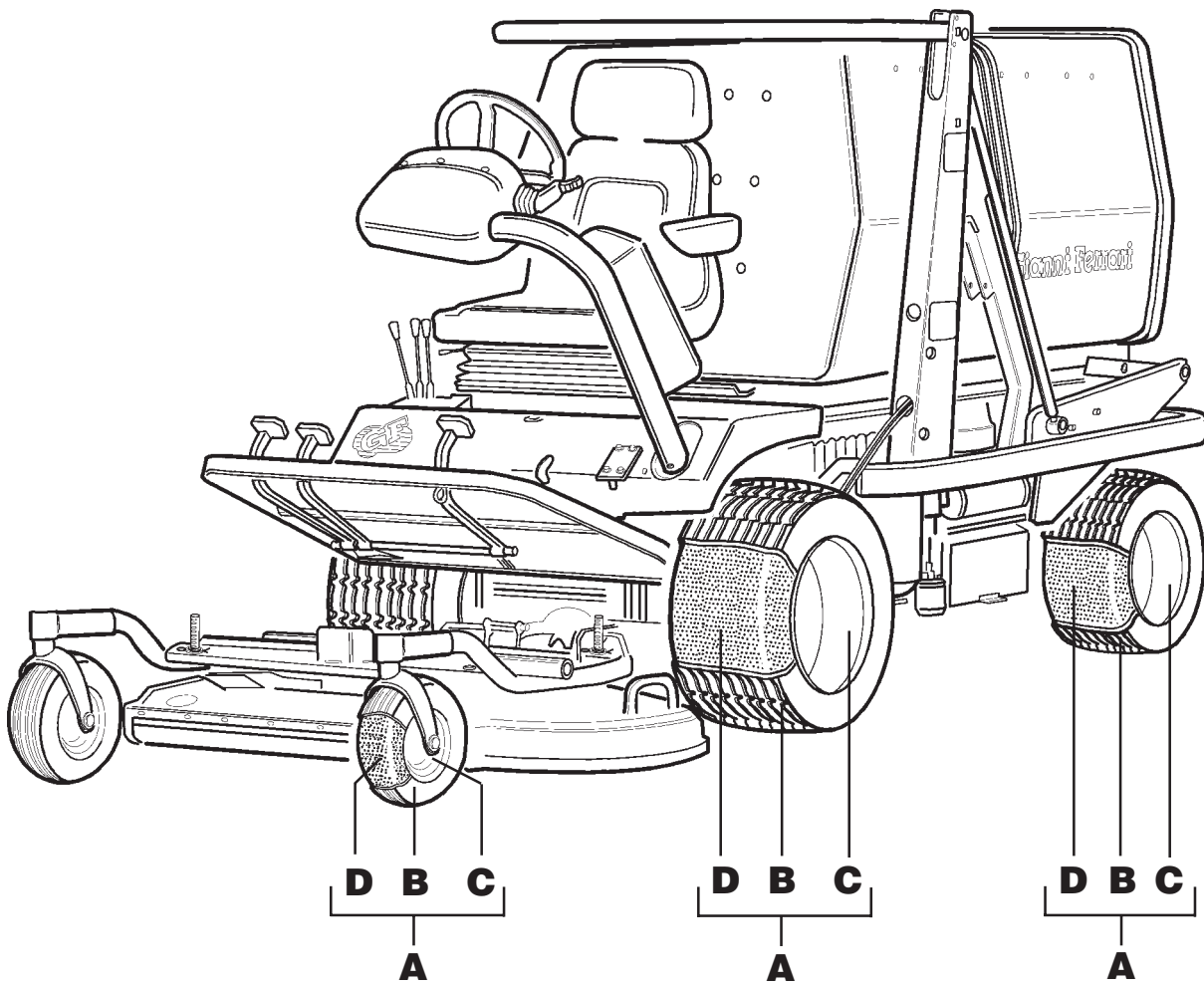


RUOTE

WHEELS

ROUES

RÄDER



| | | | | | A | B | C | D |
|--|------|----|-----|--------|---------------|---------------|---------------|---------------|
| ANTERIORI / FRONT / AVANT / VORDERRÄDER | | | | | | | | |
| 23 | 1050 | 12 | 4PR | GARDEN | 00.72.00.0062 | 00.59.00.0080 | 00.16.00.0121 | 00.59.01.0040 |
| 23 | 1250 | 12 | 4PR | GARDEN | 00.72.00.0065 | 00.59.00.0090 | 00.16.00.0122 | ===== |
| POSTERIORI / REAR / ARRIER / VHINTERRÄDER | | | | | | | | |
| 18 | 850 | 8 | 4PR | GARDEN | 00.72.00.0040 | 00.59.00.0030 | 00.16.00.0080 | 00.59.01.0030 |
| RASAERBA / DECK / TONDEUSE / MÄHWERK | | | | | | | | |
| 10 | 300 | 4 | 6PR | | 00.72.00.0200 | 00.59.00.0005 | 00.16.00.0040 | 00.59.01.0005 |
| 8 | 300 | 4 | 4PR | | 00.72.00.0202 | 00.59.00.0004 | 00.16.00.0202 | 00.59.01.0004 |



LEGENDA

| | | | | |
|------------|-------------------------------|--------------------------------|--------------------------------------|------------------------------------|
| K | Per motorizzazione KUBOTA | For KUBOTA engine machines | Pour machines avec moteur KUBOTA | Für Maschinen mit KUBOTA Motor |
| LDW | Per motorizzazione LOMBARDINI | For LOMBARDINI engine machines | Pour machines avec moteur LOMBARDINI | Für Maschinen mit LOMBARDINI Motor |
| 3 | Per contenitore 300-350 lt | For 300-350 lt collector | Pour bac 300-350 lt | Für 300-350 Lt. Behälter |
| 3a | Per contenitore 450 lt | For 450 lt collector | Pour bac 450 lt | Für 450 Lt. Behälter |
| 4 | Per contenitore 500 lt | For 500 lt collector | Pour bac 500 lt | Für 500 Lt. Behälter |
| 6 | Per contenitore 700 lt | For 700 lt collector | Pour bac 700 lt | Für 700 Lt. Behälter |
| 10 | Per contenitore 1000 lt | For 1000 lt collector | Pour bac 1000 lt | Für 1000 Lt. Behälter |
| RH | Lato destro operatore | Right | Droit | Recht |
| LH | Lato sinistro operatore | Left | Gauche | Link |
| T4 | Versione TURBOGRASS | TURBOGRASS series | Modele TURBOGRASS | Vorige TURBOGRASS |
| T1 | Versione TURBO 1 | TURBO 1 series | Modele TURBO 1 | Vorige TURBO 1 |
| T2 | Versione TURBO 2 | TURBO 2 series | Modele TURBO 2 | Vorige TURBO 2 |
| T4 | Versione TURBO 4 | TURBO 4 series | Modele TURBO 4 | Vorige TURBO 4 |

COMPLESSIVI - KITS - ENSEMBLES - GRUPPEN

| MODELLO MODEL MODELE MODELL | CINGHIE V-BELTS COURROIES RIEMEN | FILTRI FILTERS FILTRES FILTERS |
|--------------------------------------|---|---|
| Turbo 1/K | 97.00.00.0391 | 97.00.00.0461 |
| Turbo 1/LDW | 97.00.00.0392 | 97.00.00.0462 |
| Turbo 2-4/K | 97.00.00.0393 | 97.00.00.0463 |
| Turbo 2-4/LDW | 97.00.00.0394 | 97.00.00.0464 |

PIATTO DECK TONDEUSE MÄHWERK

SERIE COLTELLI BLADES ASSEMBLY COUTEAUX JEU MESSER KIT

VITI FISSAGGIO LAME BLADES FIXING BOLTS VIS DES COUTEAUX MESSERSCHRAUBEN KIT

COPPIA DISCHI COMPLETI BLADE DISCS ASSEMBLIES ENSEMBLE DISQUES COUTEAUX SCHEIBESATZ

| | | | |
|-----------------|---------------|---------------|---------------|
| 130 RC | 01.90.00.0151 | 01.90.00.0150 | 01.90.00.0472 |
| 130 MU | 01.90.00.0152 | 01.90.00.0149 | 01.90.00.0475 |
| 130 SL | 01.90.00.0153 | 01.90.00.0150 | 01.90.00.0471 |
| 130 SP | 01.90.00.0157 | 01.90.00.0150 | 01.90.00.1814 |
| 150 RC | 01.90.00.0155 | 01.90.00.0150 | 01.90.00.1584 |
| 160 SP | 01.90.00.0154 | 01.90.00.0149 | 01.90.00.1406 |
| TEG 1200 | 65.90.00.0001 | --- | --- |
| TEG 1600 | 65.90.00.0002 | --- | --- |

| | | | | | |
|------------------|--|---|------------------|---|---|
| T4 - 01 | FRAME FRAME CHASSIS CHASSIS | | T4 - 13 | MOTOR DELEN ENGINE COMPONENT PARTS PARTIE COMPOSANTES MOTEUR MOTORBESTANDTEILE | Kubota Kubota Kubota Kubota |
| T4 - 02 | Stootstangen / Tank / Beugels / Accu BUMPER / FUEL TANK / BRACKETS / BATTERY PARE-CHOCS / RESERVOIR / ETRIERS / BATTERIE STOßSTANGEN / TANK / BÜGEL / BATTERIE | | T1 - 13/A | MOTOR DELEN ENGINE COMPONENT PARTS PARTIE COMPOSANTES MOTEUR MOTORBESTANDTEILE | LOMBARDINI LOMBARDINI LOMBARDINI LOMBARDINI |
| T4 - 03 | P.D.P. KOPPELING CLUTCH CONTROL ASSEMBLY EMBAYAGE P.D.F. EINSCHALKUPPLUNG DER ZAPFWELLE | | T4 - 14 | KAPPEN & ZITTING BODY ASSEMBLY - MUDGUARDS CAPOT - GARDEBOUE HAUBE - KOTSCHÜTZER | |
| T4 - 04 | BLOWER BLOWER ASSEMBLY TURBINE GEBLÄSE | | T4 - 15 | KAPPEN MUDGUARDS GARDEBOUE KOTSCHÜTZER | |
| T4 - 05 | GRAS CONTAINER GRASS COLLECTOR BAC RECUPERATEUR GRASBEHÄLTER | | T4 - 16 | STUUR & STUURBOOM CONTROL WHEEL COLUMN SUPPORT VOLANT STEUERSÄULE | |
| T4 - 06 | VOET PLATEAU & PEDALEN FOOTBOARD / CONTROL PEDAL MARCHEPIED / PEDALES FUSSBRETT / BEDIENUNGSPEDALE | | T4 - 17 | HYDRAULIEK OIL TANK / PUMP GEARBOX RESERVOIR D'HUILE / BOITIER POMPE ÖLTANK / PUMPENAUFLAGAGE | |
| T4 - 07 | HYDR.MOTOR BEDIENING / DIFFERENCIIEEL SLOT HYDROSTATIC MOTOR CONTROL / DIFFERENTIAL LOCKING COMMANDES MOTEUR HYDR. / BLOCAGE DIFFERENTIEL HYDRAULIKMOTORENBED. / DIFFERENTIALGETRIEBEBLOC. | | T4 - 18 | HAAKSE TANDWIELKAST & HYDR.POMPEN HYDROSTATIC PUMPS POMPES HYDROSTATIQUES HYDRAULIK PUMPEN | |
| T4 - 08 | ACHTERAS (STUURBAAR) REAR STEERING GEARDRIVE BOITIER DIRECTOR ARRIER HINTER STEUERGELENK | | T2 - 18 | HAAKSE TANDWIELKAST & HYDR.POMPEN HYDROSTATIC PUMPS POMPES HYDROSTATIQUES HYDRAULIK PUMPEN | |
| T4 - 09 | ACHTERAS MIDDEN DEEL REAR CENTER GEARBOX BOITIER CENTRAL ARRIERE HINTERMITTEL GEHÄUSE | | T4 - 19 | HYDROSTAAT HYDROSTATIC MOTOR MOTEUR HYDROSTATIQUES HYDRAULIKMOTOR | |
| T2 - 09 | ACHTERAS MIDDEN DEEL REAR CENTER GEARBOX BOITIER CENTRAL ARRIERE HINTERMITTEL GEHÄUSE | | T2 - 19 | HYDROSTAAT HYDROSTATIC MOTOR MOTEUR HYDROSTATIQUES HYDRAULIKMOTOR | |
| T4 - 10A | VOORAS FRONT GEARDRIVE BOITIER AVANT VORDERUNTERSSETZUNGS GETRIEBE | | T4 - 20 | FRONT HEF-INRICHTING FRONT LIFT RELEVAGE AVANT FRONTHEBE VORRICHTUNG | |
| T4 - 11A | VOORAS MIDDEN DEEL FRONT CENTER GEARBOX BOITIER CENTRAL AVANT VORDERMITTEL GEHÄUSE | | T4 - 21 | HOOG KIEPER HIGH DUMP - STRUCTURE ELEVATION DU BAC - STRUCTURE HOCHENTLEERUNG - STRUKTUR | |
| T4 - 12 | MOTOR ENGINE MOTEUR MOTOR | KUBOTA KUBOTA KUBOTA KUBOTA | T4 - 22 | HYDRAULIEK HOOG KIEPER HIGH DUMP - HYDRAULIC SYSTEM ELEVATION DU BAC - SYSTEME HYDRAULIQUE HOCHENTLEERUNG - HYDRAULIKANLAGE | |
| T1 - 12/A | MOTOR ENGINE MOTEUR MOTOR | LOMBARDINI LOMBARDINI LOMBARDINI LOMBARDINI | T4 - 25 | STRAAT UITVOERING ROAD VERSION LIGHTING FEUX VERSION DE ROUTE BELEUCHTUNG - STRAßENAUSFÜHRUNG | |

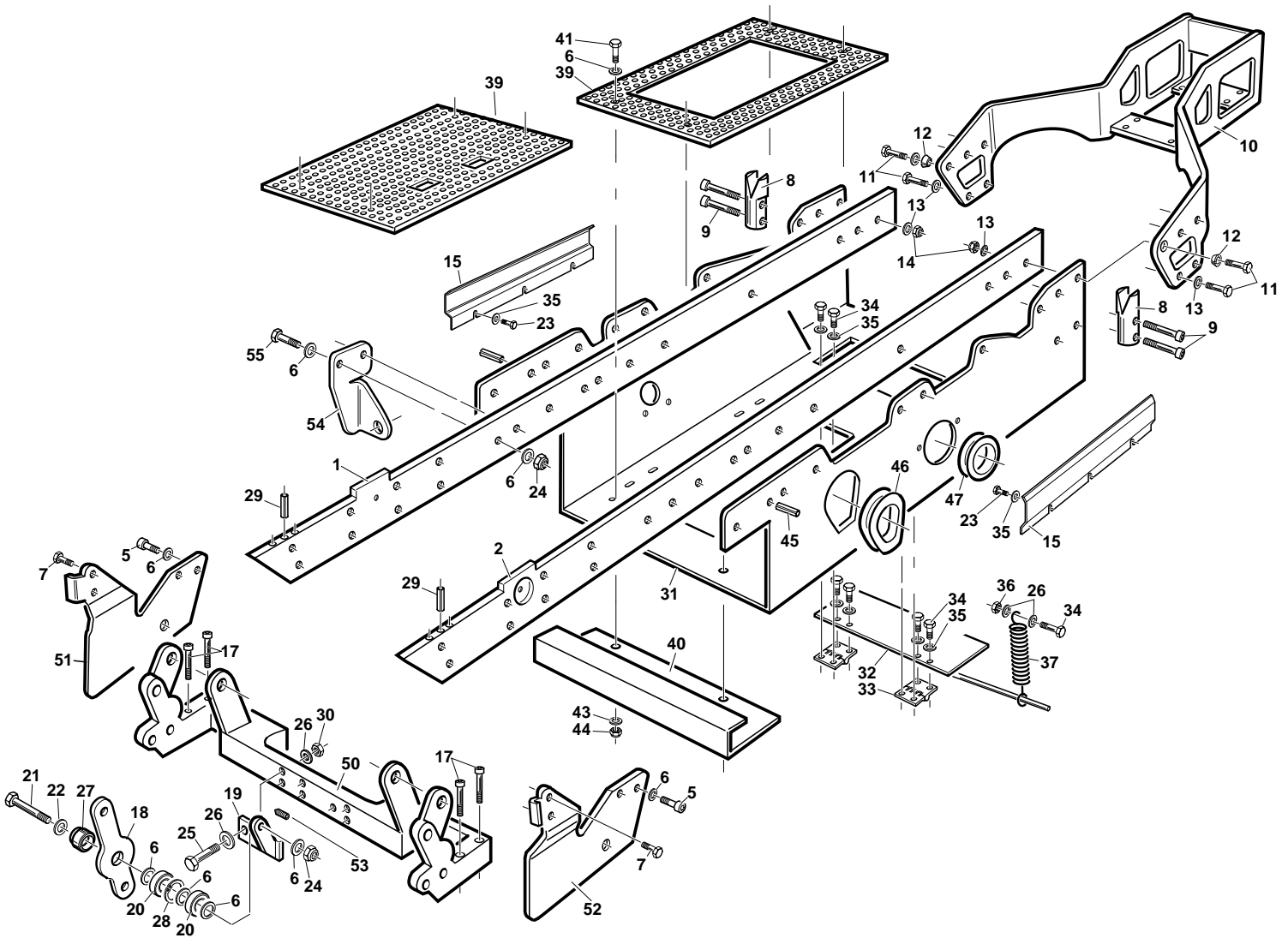


H.51060

T4 - 01

T4 - T2

30-04-2003



| REF. | LEG. | CODE | Q.TY |
|------|------|---------------|------|
| 1 | | 01.50.00.5970 | 1 |
| 2 | | 01.50.00.5980 | 1 |
| 5 | | 00.92.06.1080 | 4 |
| 6 | | 00.68.01.0040 | 11 |
| 7 | | 00.90.07.0100 | 4 |
| 8 | | 01.30.00.0310 | 2 |
| 9 | | 00.90.04.0120 | 4 |
| 10 | | 01.50.00.6000 | 1 |
| 11 | | 00.92.07.1090 | 12 |
| 12 | | 00.68.05.0010 | 6 |
| 13 | | 00.68.01.0050 | 6 |
| 14 | | 00.26.04.0080 | 6 |
| 15 | | 01.50.00.5420 | 2 |
| 17 | | 00.90.07.0140 | 4 |
| 18 | | 01.50.00.4951 | 1 |
| 19 | | 01.50.00.4960 | 1 |
| 20 | | 00.22.00.0111 | 2 |

| REF. | LEG. | CODE | Q.TY |
|------|------|---------------|------|
| 21 | | 00.92.06.1120 | 1 |
| 22 | | 00.68.08.0233 | 1 |
| 23 | | 00.92.03.1050 | 6 |
| 24 | | 00.26.04.0070 | 5 |
| 25 | | 00.92.05.0160 | 2 |
| 26 | | 00.68.01.0030 | 6 |
| 27 | | 01.40.00.2170 | 1 |
| 28 | | 00.03.09.0026 | 1 |
| 29 | | 00.83.14.0036 | 2 |
| 30 | | 00.26.04.0060 | 2 |
| 31 | | 01.50.00.5990 | 1 |
| 32 | | 01.50.00.5270 | 1 |
| 33 | | 00.07.02.0020 | 2 |
| 34 | | 00.92.03.1070 | 8 |
| 35 | | 00.68.01.0020 | 9 |
| 36 | | 00.26.02.0060 | 1 |
| 37 | | 00.47.00.0061 | 1 |

| REF. | LEG. | CODE | Q.TY |
|------|------|---------------|------|
| 39 | K | 01.50.00.5020 | 1 |
| 39 | LDW | 01.50.00.7330 | 1 |
| 40 | | 01.50.00.3120 | 1 |
| 41 | | 00.92.06.0100 | 2 |
| 43 | | 00.68.02.0070 | 2 |
| 44 | | 00.26.01.0080 | 2 |
| 45 | | 00.83.17.0026 | 2 |
| 46 | | 00.11.01.1000 | 0,31 |
| 47 | | 00.11.01.1000 | 0,40 |
| 50 | | 01.50.00.7390 | 1 |
| 51 | | 01.50.00.7400 | 1 |
| 52 | | 01.50.00.7410 | 1 |
| 53 | | 00.96.04.2010 | 1 |
| 54 | | 01.50.00.7770 | 1 |
| 55 | | 00.92.06.0140 | 2 |

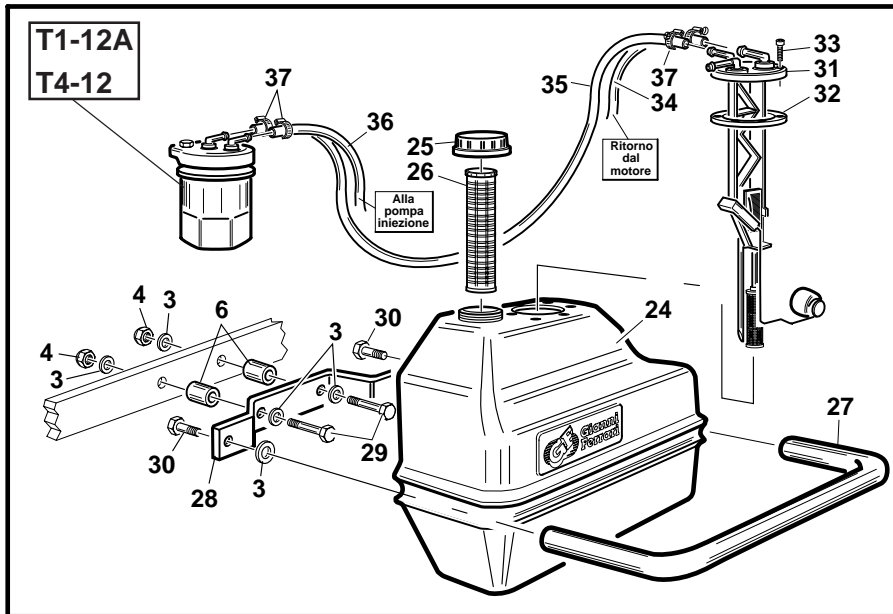
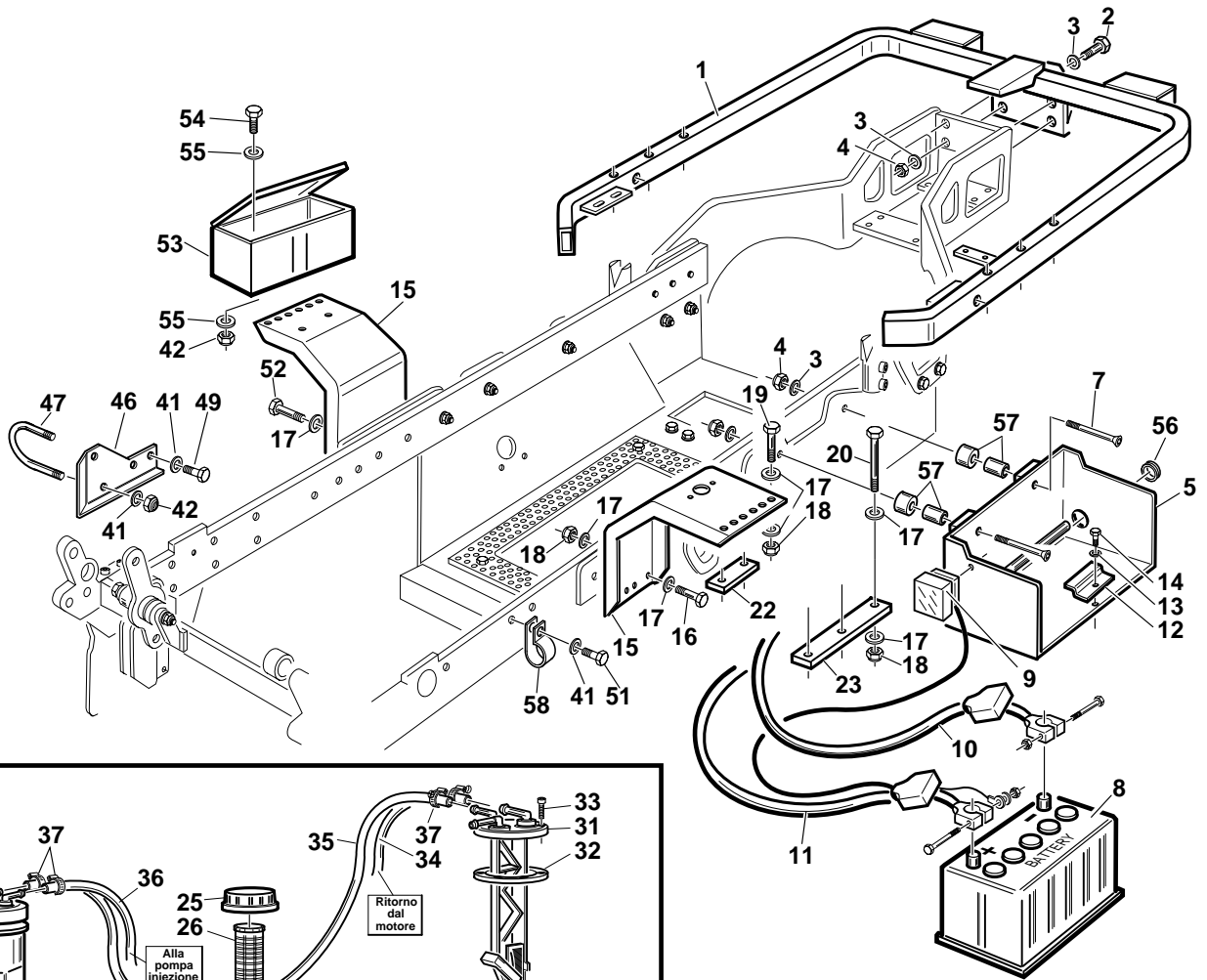


OL.55058

T4 - 02

T4 - T2

30-04-2003



| REF. | LEG. | CODE | Q.TY |
|------|------|---------------|------|
| 1 | | 01.50.00.5360 | 1 |
| 2 | | 00.92.06.0100 | 4 |
| 3 | | 00.68.01.0040 | 16 |
| 4 | | 00.26.04.0070 | 8 |
| 5 | | 01.50.00.5281 | 1 |
| 6 | | 01.40.00.1120 | 2 |
| 7 | | 00.95.06.0150 | 2 |
| 8 | | 00.09.00.0040 | 1 |
| 9 | | 00.40.00.0800 | 1 |
| 10 | | 00.40.00.0284 | 1 |
| 11 | | 00.40.00.0283 | 1 |
| 12 | | 01.50.00.1750 | 1 |
| 13 | | 00.68.01.0020 | 3 |
| 14 | | 00.92.03.1090 | 3 |
| 15 | | 01.50.00.2341 | 2 |
| 16 | | 00.92.07.0140 | 5 |
| 17 | | 00.68.01.0050 | 30 |

| REF. | LEG. | CODE | Q.TY |
|------|------|---------------|------|
| 18 | | 00.26.04.0080 | 18 |
| 19 | | 00.92.07.0130 | 6 |
| 20 | | 00.92.07.0220 | 6 |
| 22 | | 01.50.00.5080 | 2 |
| 23 | | 01.50.00.6270 | 2 |
| 24 | | 00.75.00.0050 | 1 |
| 25 | | 00.75.00.0012 | 1 |
| 26 | | 00.75.00.0013 | 1 |
| 27 | | 01.50.00.4660 | 1 |
| 28 | | 01.50.00.4650 | 1 |
| 29 | | 00.92.06.0190 | 2 |
| 30 | | 00.92.06.1120 | 2 |
| 31 | | 00.75.00.0051 | 1 |
| 32 | | 00.07.01.0150 | 1 |
| 33 | | 00.94.06.3050 | 6 |
| 34 | | 00.89.02.0001 | 1 |
| 35 | | 00.89.02.0002 | 1 |

| REF. | LEG. | CODE | Q.TY |
|------|------|---------------|------|
| 36 | | 00.89.02.0003 | 1 |
| 37 | | 00.29.02.0016 | 4 |
| 41 | | 00.68.01.0030 | 7 |
| 42 | | 00.26.04.0060 | 7 |
| 46 | | 01.50.00.6790 | 1 |
| 47 | | 01.50.00.6810 | 1 |
| 49 | | 00.92.05.1040 | 2 |
| 51 | | 00.92.05.1070 | 2 |
| 52 | | 00.90.08.0151 | 1 |
| 53 | | 01.30.00.0430 | 1 |
| 54 | | 00.92.05.1100 | 2 |
| 55 | | 00.68.02.0050 | 4 |
| 56 | | 00.07.01.0035 | 1 |
| 57 | | 01.50.00.0770 | 4 |
| 58 | T2 | 00.29.01.0099 | 1 |

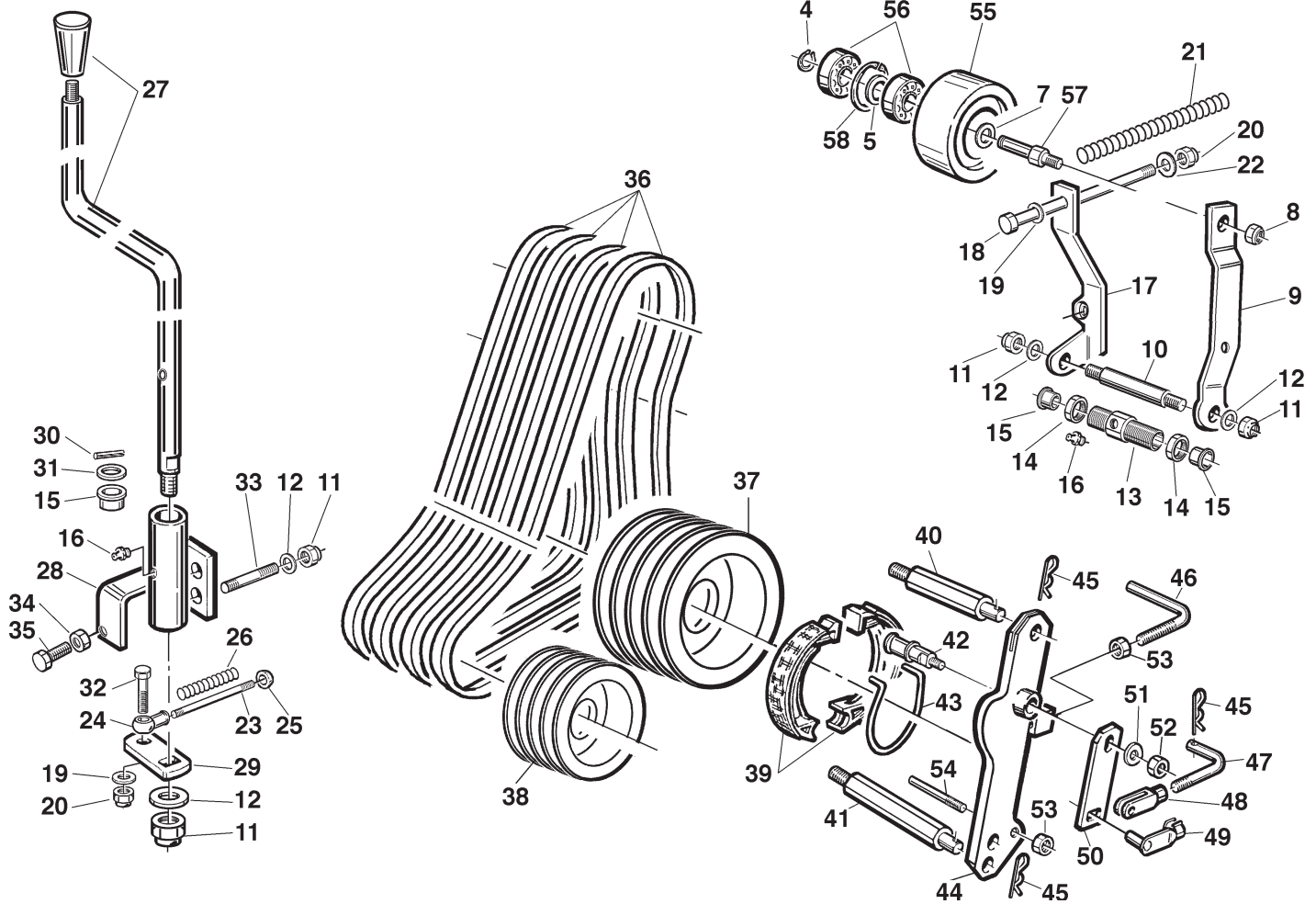


H.52070

T4 - 03

T1 - T2 - T4

25-02-2003



| REF. | LEG. | CODE | Q.TY |
|------|------|---------------|------|
| 4 | | 00.03.00.0110 | 1 |
| 5 | | 01.40.00.1090 | 1 |
| 7 | | 00.68.01.0050 | 1 |
| 8 | | 00.26.04.0080 | 1 |
| 9 | | 01.50.00.5790 | 1 |
| 10 | | 01.40.00.0261 | 1 |
| 11 | | 00.26.04.0070 | 5 |
| 12 | | 00.68.01.0040 | 5 |
| 13 | | 01.40.00.1790 | 1 |
| 14 | | 01.40.00.2090 | 2 |
| 15 | | 01.20.00.0050 | 4 |
| 16 | | 00.42.00.0010 | 2 |
| 17 | | 01.50.00.5800 | 1 |
| 18 | | 00.95.05.0200 | 1 |
| 19 | | 00.68.01.0030 | 2 |
| 20 | | 00.26.04.0060 | 2 |
| 21 | | 00.47.00.0200 | 1 |
| 22 | | 00.68.02.0050 | 1 |

| REF. | LEG. | CODE | Q.TY |
|------|------|---------------|------|
| 23 | | 01.50.00.0272 | 1 |
| 24 | | 00.78.01.0011 | 1 |
| 25 | | 01.20.00.0030 | 1 |
| 26 | | 00.47.00.0101 | 1 |
| 27 | | 01.50.00.5410 | 1 |
| 28 | | 01.50.00.5810 | 1 |
| 29 | | 01.50.00.5820 | 1 |
| 30 | | 00.83.09.0030 | 1 |
| 31 | | 00.68.01.0070 | 2 |
| 32 | | 00.92.05.0110 | 1 |
| 33 | | 00.60.03.0100 | 2 |
| 34 | | 00.26.02.0040 | 1 |
| 35 | | 00.92.03.1060 | 1 |
| 36 | | 00.17.01.1450 | 4 |
| 37 | | 00.61.00.0390 | 1 |
| 38 | | 00.61.00.0450 | 1 |
| 39 | | 00.34.01.0010 | 2 |
| 40 | | 01.40.00.2241 | 1 |

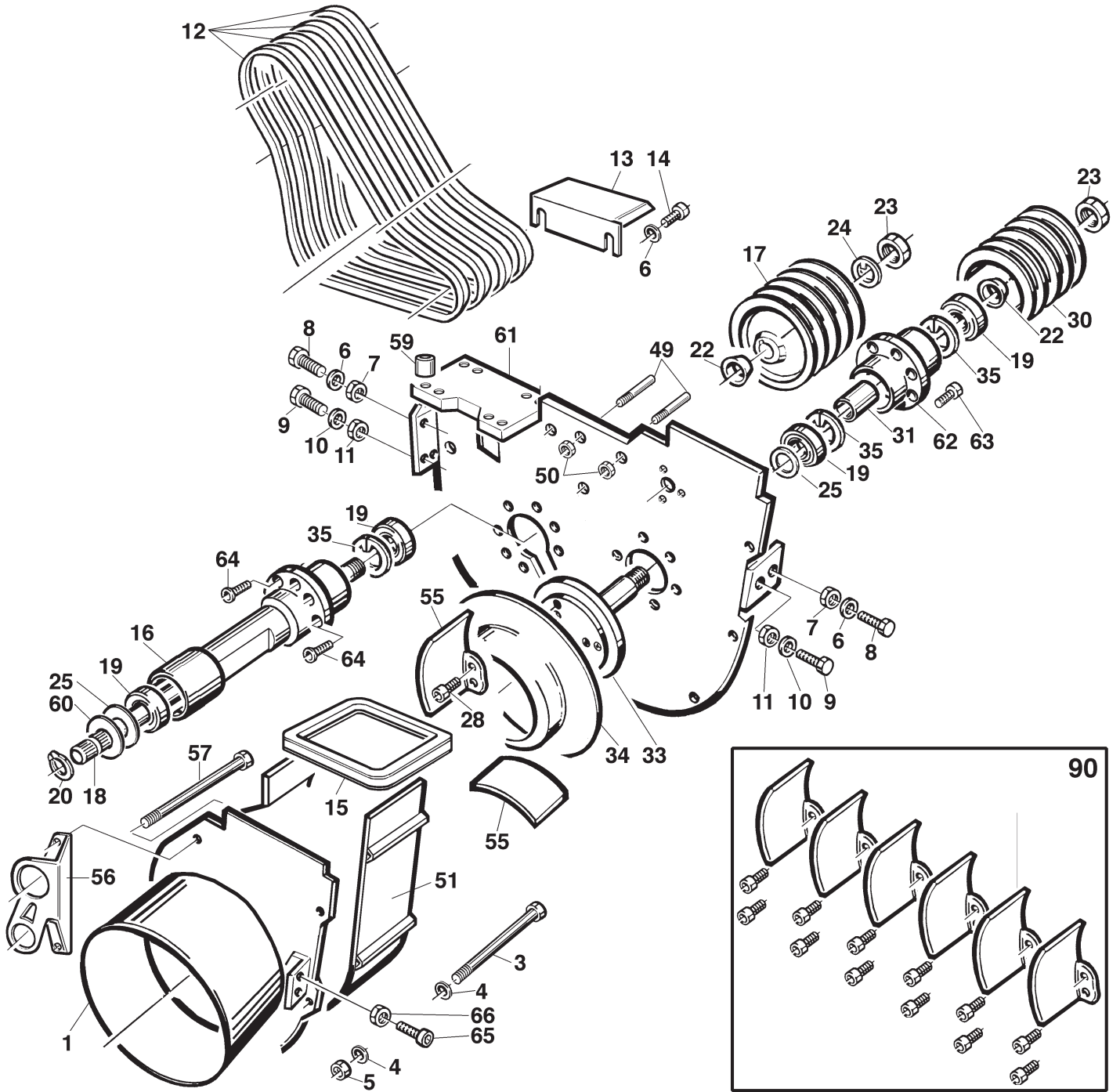
| REF. | LEG. | CODE | Q.TY |
|------|------|---------------|------|
| 41 | | 01.40.00.2240 | 1 |
| 42 | | 00.34.01.0013 | 1 |
| 43 | | 00.34.01.0011 | 1 |
| 44 | | 01.50.00.2710 | 1 |
| 45 | | 00.18.00.1010 | 3 |
| 46 | | 01.50.00.2040 | 1 |
| 47 | | 01.40.00.0820 | 1 |
| 48 | | 00.33.01.0020 | 1 |
| 49 | | 00.33.01.0021 | 1 |
| 50 | | 01.50.00.2820 | 1 |
| 51 | | 00.68.02.0030 | 1 |
| 52 | | 00.26.04.0040 | 1 |
| 53 | | 00.26.02.0060 | 2 |
| 54 | | 01.40.00.2280 | 1 |
| 55 | | 00.61.00.0381 | 1 |
| 56 | | 00.22.15.4201 | 2 |
| 57 | | 01.40.00.2760 | 1 |
| 58 | | 00.03.01.0042 | 1 |



H.57056

T4 - 04
T4 - T2 - T1

15-03-2003



| REF. | LEG. | CODE | Q.TY |
|------|------|---------------|------|
| 1 | | 01.50.00.4820 | 1 |
| 3 | | 00.92.05.0280 | 4 |
| 4 | | 00.68.01.0030 | 12 |
| 5 | | 00.26.04.0060 | 6 |
| 6 | | 00.68.01.0040 | 8 |
| 7 | | 00.26.02.0080 | 2 |
| 8 | | 00.92.06.1120 | 2 |
| 9 | | 00.92.07.0110 | 4 |
| 10 | | 00.68.01.0050 | 6 |
| 11 | | 00.26.04.0080 | 2 |
| 12 | | 00.17.01.1450 | 4 |
| 13 | | 01.50.00.3740 | 1 |
| 14 | | 00.92.06.1020 | 2 |
| 15 | | 01.90.00.0550 | 1 |
| 16 | | 01.40.00.1970 | 1 |

| REF. | LEG. | CODE | Q.TY |
|------|------|---------------|------|
| 17 | | 00.61.00.0390 | 1 |
| 18 | | 01.40.00.0021 | 1 |
| 19 | | 00.22.20.5202 | 4 |
| 20 | | 00.03.10.0020 | 1 |
| 22 | | 01.40.00.0710 | 2 |
| 23 | | 00.26.03.1130 | 2 |
| 24 | | 01.40.00.1050 | 1 |
| 25 | | 01.40.00.2030 | 2 |
| 28 | | 00.90.07.1060 | 12 |
| 30 | | 00.61.00.0450 | 1 |
| 31 | | 01.40.00.0590 | 1 |
| 33 | | 01.40.00.2000 | 1 |
| 34 | | 01.50.00.4840 | 1 |
| 35 | | 00.03.01.0052 | 3 |
| 49 | | 01.40.00.2280 | 2 |

| REF. | LEG. | CODE | Q.TY |
|------|------|---------------|------|
| 50 | | 00.26.02.0060 | 2 |
| 51 | | 01.50.00.4830 | 1 |
| 55 | | 01.50.00.4851 | 6 |
| 56 | | 01.50.00.7380 | 1 |
| 57 | | 00.92.05.0290 | 2 |
| 58 | | 01.50.00.7350 | 1 |
| 59 | | 01.40.00.2680 | 4 |
| 60 | | 00.48.01.0021 | 1 |
| 61 | | 01.50.00.7355 | 1 |
| 62 | | 01.40.00.2011 | 1 |
| 63 | | 00.90.07.0080 | 6 |
| 64 | | 00.90.07.0060 | 7 |
| 65 | | 00.90.07.0100 | 2 |
| 66 | | 00.26.05.0070 | 2 |
| 90 | | 01.90.00.2060 | 1 |

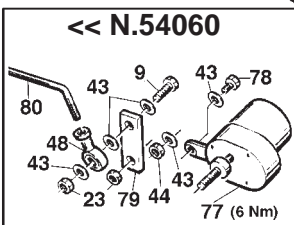
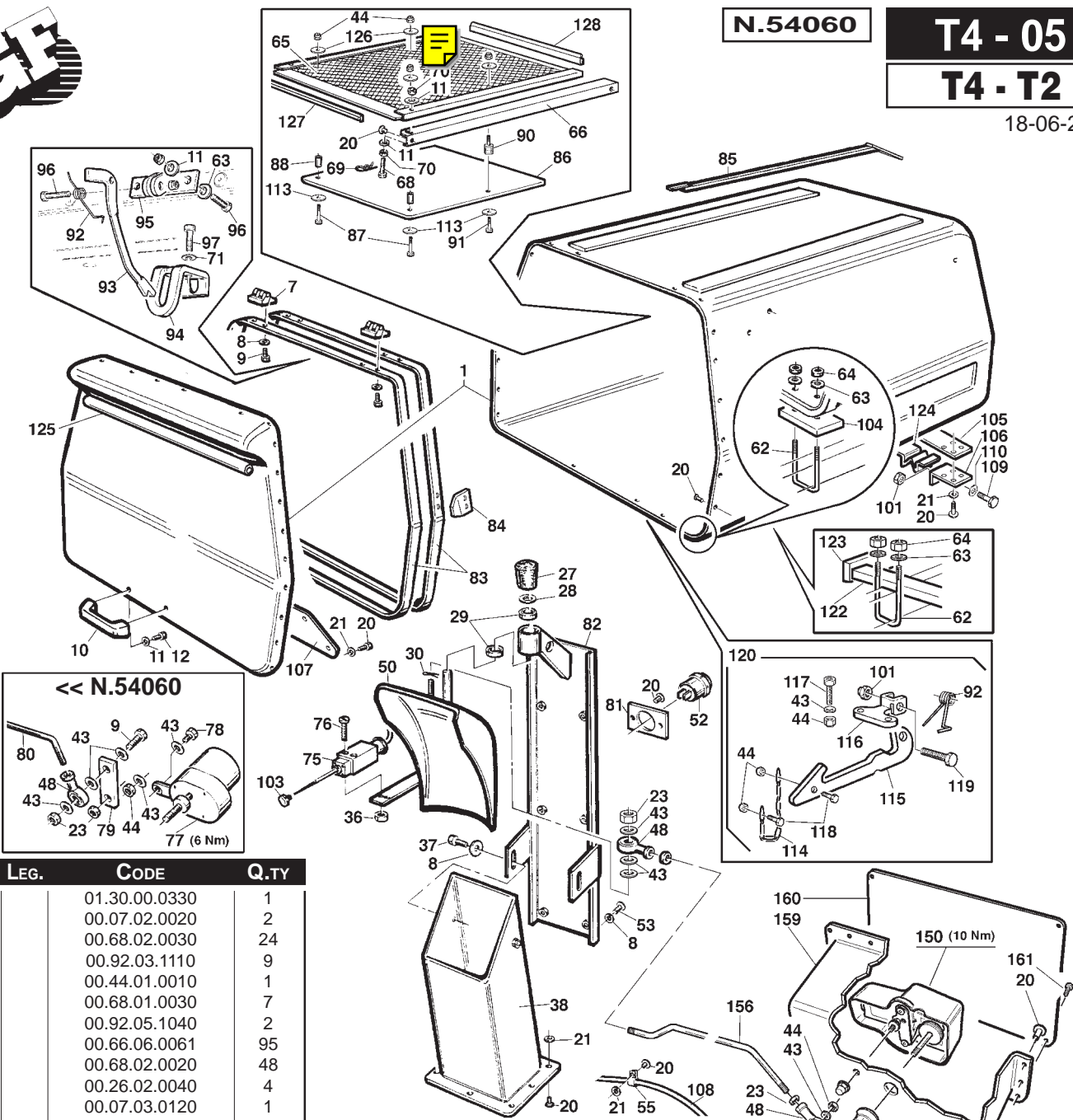


N.54060

T4 - 05

T4 - T2

18-06-2003



| REF. | LEG. | CODE | Q.TY |
|------|------|---------------|------|
| 1 | | 01.30.00.0330 | 1 |
| 7 | | 00.07.02.0020 | 2 |
| 8 | | 00.68.02.0030 | 24 |
| 9 | | 00.92.03.1110 | 9 |
| 10 | | 00.44.01.0010 | 1 |
| 11 | | 00.68.01.0030 | 7 |
| 12 | | 00.92.05.1040 | 2 |
| 20 | | 00.66.06.0061 | 95 |
| 21 | | 00.68.02.0020 | 48 |
| 23 | | 00.26.02.0040 | 4 |
| 27 | | 00.07.03.0120 | 1 |
| 28 | | 00.68.02.0070 | 1 |
| 29 | | 00.22.00.0111 | 2 |
| 30 | | 00.18.00.1003 | 1 |
| 36 | | 00.26.04.0020 | 2 |
| 37 | | 00.92.03.1030 | 2 |
| 38 | | 01.50.00.1394 | 1 |
| 43 | | 00.68.01.0020 | 10 |
| 44 | | 00.26.04.0040 | 11 |
| 48 | | 00.78.01.0010 | 2 |
| 50 | | 01.50.00.1395 | 1 |
| 52 | | 00.40.00.0230 | 1 |
| 53 | | 00.91.06.0050 | 6 |
| 55 | | 00.29.01.0080 | 8 |
| 62 | | 01.50.00.5920 | 4 |
| 63 | | 00.68.02.0050 | 9 |
| 64 | | 00.26.04.0060 | 13 |
| 65 | | 01.50.00.5330 | 1 |
| 66 | | 01.50.00.5340 | 2 |
| 68 | | 00.92.05.1101 | 2 |
| 69 | | 00.18.00.1010 | 2 |
| 70 | | 00.26.02.0060 | 4 |
| 71 | | 00.68.03.0040 | 1 |
| 75 | | 00.40.00.0042 | 1 |
| 76 | | 00.91.04.0100 | 1 |
| 77 | 6 Nm | 00.54.00.2020 | 1 |
| 79 | | 01.50.00.3110 | 1 |
| 80 | | 01.50.00.3130 | 1 |
| 81 | | 01.50.00.3310 | 1 |
| 82 | | 01.50.00.3180 | 1 |

| REF. | LEG. | CODE | Q.TY |
|------|------|---------------|------|
| 83 | | 01.50.00.3910 | 1 |
| 84 | | 01.50.00.3911 | 2 |
| 85 | | 01.50.00.7620 | 1 |
| 86 | | 01.30.00.0320 | 1 |
| 87 | | 00.92.03.0210 | 2 |
| 88 | | 01.40.00.0490 | 2 |
| 90 | | 00.74.03.0050 | 2 |
| 91 | | 00.92.03.0170 | 2 |
| 92 | | 00.47.00.0190 | 1 |
| 93 | | 01.50.00.3870 | 1 |
| 94 | | 01.50.00.3880 | 1 |
| 95 | | 01.50.00.3890 | 1 |
| 96 | | 00.92.05.0130 | 2 |
| 97 | | 00.92.05.1100 | 2 |
| 101 | | 00.26.04.0070 | 2 |
| 103 | | 00.45.01.0040 | 1 |
| 104 | | 01.50.00.7590 | 2 |
| 105 | | 01.50.00.2132 | 1 |
| 106 | | 01.50.00.2133 | 2 |
| 107 | | 01.30.00.0290 | 1 |
| 108 | | 00.40.00.0251 | 1 |
| 109 | | 00.92.06.0100 | 2 |
| 110 | | 00.68.01.0040 | 4 |
| 112 | | 00.26.04.0030 | 1 |
| 113 | | 00.68.03.0030 | 4 |
| 114 | | 01.50.00.0833 | 1 |
| 115 | | 01.50.00.6481 | 1 |

| REF. | LEG. | CODE | Q.TY |
|------|------|---------------|------|
| 116 | | 01.50.00.6482 | 1 |
| 117 | | 00.90.04.0110 | 2 |
| 118 | | 00.92.03.1070 | 3 |
| 119 | | 00.92.06.0110 | 1 |
| 120 | | 01.90.00.1530 | 1 |
| 122 | | 01.50.00.7250 | 2 |
| 123 | | 00.07.01.3030 | 4 |
| 124 | | 01.50.00.8250 | 2 |
| 125 | | 01.50.00.3912 | 1 |
| 126 | | 01.30.00.0020 | 7 |
| 127 | | 00.11.01.0000 | 0,80 |
| 128 | | 00.11.01.2000 | 0,70 |
| 150 | 10Nm | 00.54.00.2040 | 1 |
| 153 | | 01.50.00.8780 | 2 |
| 154 | | 00.47.00.0410 | 1 |
| 156 | | 01.50.00.8800 | 1 |
| 157 | | 01.50.00.8790 | 1 |
| 159 | | 01.30.00.0530 | 1 |
| 160 | | 01.30.00.0540 | 1 |
| 161 | | 00.94.06.3050 | 6 |

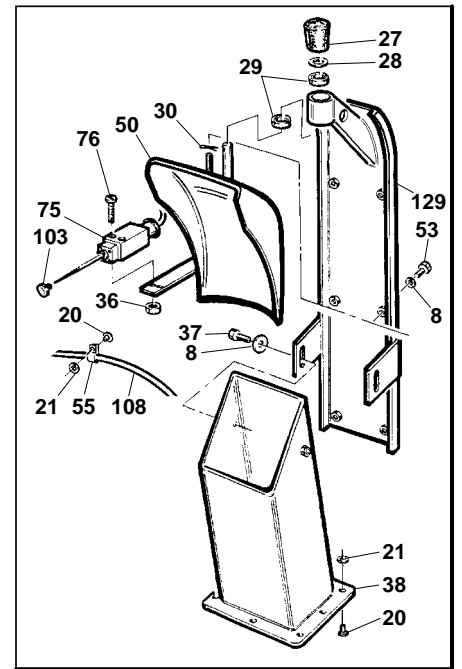
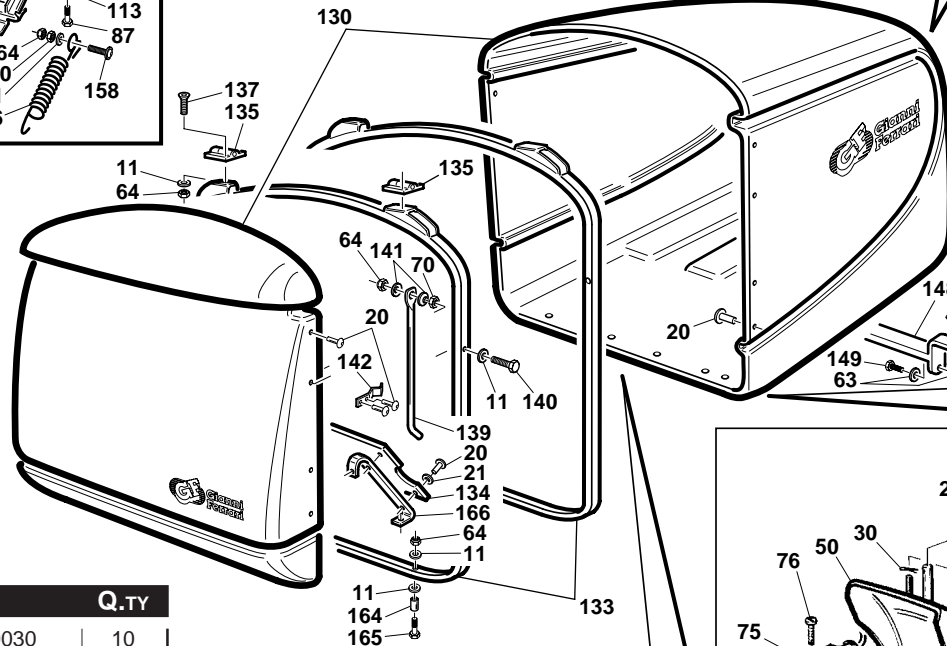
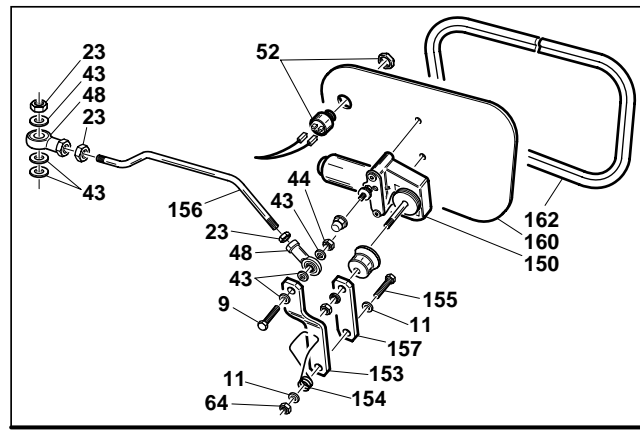
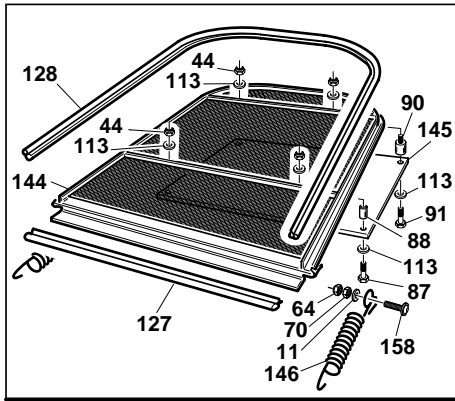


T4 - 05A

T4 - T2

N.56077

08-09-2003



| REF. | LEG. | CODE | Q.TY |
|------|------|---------------|------|
| 8 | | 00.68.02.0030 | 10 |
| 9 | | 00.92.03.1110 | 1 |
| 11 | | 00.68.01.0030 | 17 |
| 20 | | 00.66.06.0091 | 2 |
| 20 | | 00.66.06.0071 | 139 |
| 21 | | 00.68.02.0020 | 47 |
| 23 | | 00.26.02.0040 | 2 |
| 27 | | 00.07.03.0120 | 1 |
| 28 | | 00.68.02.0070 | 1 |
| 29 | | 00.22.00.0111 | 2 |
| 30 | | 00.18.04.0021 | 1 |
| 36 | | 00.26.04.0020 | 2 |
| 37 | | 00.92.03.1030 | 2 |
| 38 | | 01.50.00.1394 | 1 |
| 43 | | 00.68.01.0020 | 16 |
| 44 | | 00.26.04.0040 | 8 |
| 48 | | 00.78.01.0010 | 2 |
| 50 | | 01.50.00.1395 | 1 |
| 52 | | 00.40.00.0230 | 1 |
| 53 | | 00.91.06.0050 | 6 |
| 55 | | 00.29.01.0080 | 8 |
| 62 | | 01.50.00.5920 | 2 |
| 63 | | 00.68.02.0050 | 8 |
| 64 | | 00.26.04.0060 | 20 |
| 70 | | 00.26.02.0060 | 4 |
| 75 | | 00.40.00.0042 | 1 |
| 76 | | 00.91.04.0110 | 2 |
| 87 | | 00.92.03.0210 | 2 |
| 88 | | 01.40.00.0490 | 2 |
| 90 | | 00.74.03.0050 | 2 |
| 91 | | 00.92.03.1040 | 2 |
| 92 | | 00.47.00.0190 | 1 |
| 101 | | 00.26.04.0070 | 4 |
| 103 | | 00.45.01.0040 | 1 |
| 104 | | 01.50.00.6190 | 2 |
| 105 | | 01.50.00.2132 | 1 |

| REF. | LEG. | CODE | Q.TY |
|------|------|---------------|-------|
| 106 | | 01.50.00.2133 | 2 |
| 108 | | 00.40.00.0251 | 1 |
| 109 | | 00.92.06.0100 | 2 |
| 110 | | 00.68.01.0040 | 4 |
| 113 | | 00.68.03.0030 | 10 |
| 114 | | 01.50.00.0833 | 1 |
| 115 | | 01.50.00.6481 | 1 |
| 116 | | 01.50.00.6482 | 1 |
| 117 | | 00.92.03.1120 | 2 |
| 118 | | 00.92.03.1070 | 1 |
| 119 | | 00.92.06.0110 | 1 |
| 124 | | 01.50.00.8250 | 2 |
| 127 | | 00.11.01.2010 | 0,9 m |
| 128 | | 00.11.01.2000 | 3,0 m |
| 129 | | 01.50.00.8960 | 1 |
| 130 | | 01.30.00.0331 | 1 |
| 133 | | 01.50.00.8980 | 2 |
| 134 | | 01.30.00.0590 | 1 |
| 135 | | 00.99.00.0250 | 2 |
| 137 | | 00.95.05.0060 | 8 |
| 139 | | 01.50.00.8970 | 1 |
| 140 | | 00.92.05.0160 | 1 |
| 141 | | 00.48.00.0079 | 2 |
| 142 | | 00.47.00.0420 | 1 |

| REF. | LEG. | CODE | Q.TY |
|------|------|---------------|------|
| 144 | | 01.50.00.9000 | 1 |
| 145 | | 01.50.00.4100 | 1 |
| 146 | | 00.47.00.0390 | 2 |
| 148 | | 01.50.01.0050 | 1 |
| 149 | | 00.92.05.0120 | 2 |
| 150 | | 00.54.00.2040 | 1 |
| 153 | | 01.50.00.8780 | 1 |
| 154 | | 00.47.00.0410 | 1 |
| 155 | | 00.92.05.0110 | 1 |
| 156 | | 01.50.00.8800 | 1 |
| 157 | | 01.50.00.8790 | 1 |
| 158 | | 00.90.06.3080 | 2 |
| 160 | | 01.50.01.0180 | 1 |
| 162 | | 00.11.01.2000 | 1 |
| 164 | | 01.40.00.0491 | 2 |
| 165 | | 00.90.06.0150 | 2 |
| 166 | | 01.50.01.0270 | 3 |

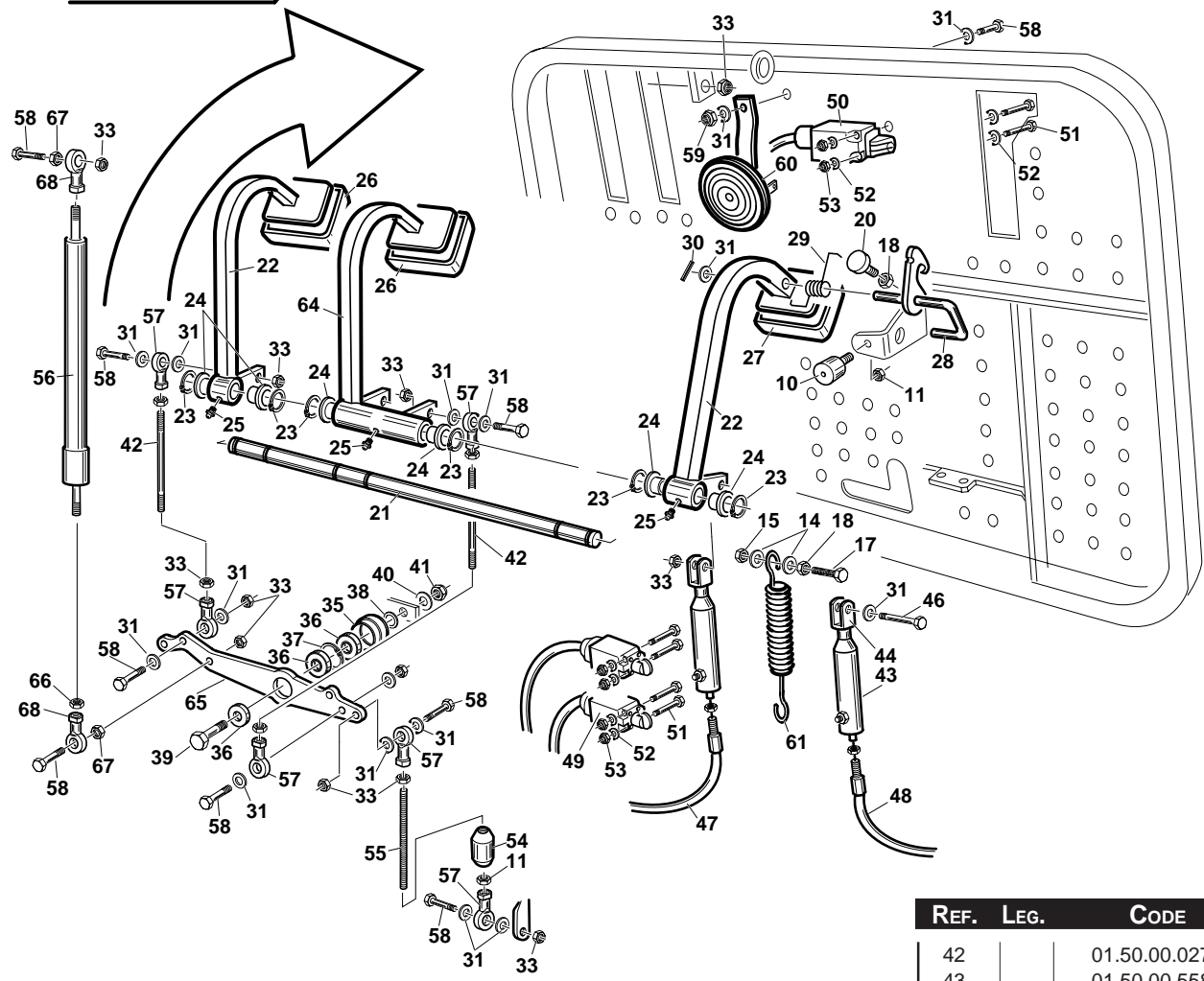
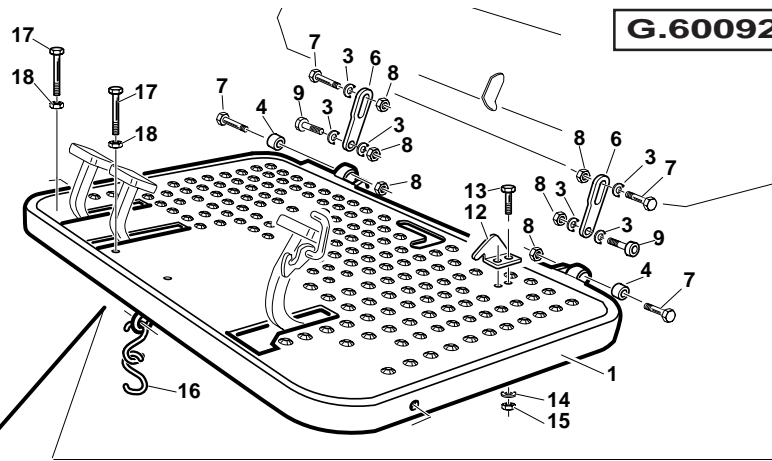


G.60092

T1 - 06

T1 - T2 - T4

15-03-2003



| REF. | LEG. | CODE | Q.TY |
|------|------|---------------|------|
| 1 | | 01.50.00.4920 | 1 |
| 3 | | 00.68.01.0050 | 6 |
| 4 | | 00.74.05.3234 | 2 |
| 6 | | 01.50.00.4930 | 2 |
| 7 | | 00.90.08.0211 | 4 |
| 8 | | 00.26.04.0080 | 6 |
| 9 | | 00.92.07.0100 | 2 |
| 10 | | 00.74.00.0030 | 2 |
| 11 | | 00.26.02.0060 | 8 |
| 12 | | 01.50.00.5500 | 1 |
| 13 | | 00.92.03.1090 | 2 |
| 14 | | 00.68.01.0020 | 8 |
| 15 | | 00.26.04.0040 | 3 |
| 16 | | 01.50.00.0832 | 2 |
| 17 | | 00.92.03.1120 | 3 |
| 18 | | 00.26.02.0040 | 4 |
| 20 | | 00.74.00.0017 | 1 |
| 21 | | 01.40.00.2040 | 1 |

| REF. | LEG. | CODE | Q.TY |
|------|------|---------------|------|
| 22 | | 01.50.00.4910 | 2 |
| 23 | | 00.03.10.0015 | 6 |
| 24 | | 01.30.00.0010 | 6 |
| 25 | | 00.42.00.0010 | 3 |
| 26 | | 00.07.01.0130 | 2 |
| 27 | | 00.07.01.0140 | 1 |
| 28 | | 01.50.00.5550 | 1 |
| 29 | | 00.47.00.0190 | 1 |
| 30 | | 00.83.09.0014 | 1 |
| 31 | | 00.68.01.0030 | 12 |
| 33 | | 00.26.04.0060 | 18 |
| 35 | | 01.40.00.2170 | 1 |
| 36 | | 00.22.00.0111 | 2 |
| 37 | | 00.03.09.0026 | 1 |
| 38 | | 00.68.08.0233 | 3 |
| 39 | | 00.92.06.1110 | 1 |
| 40 | | 00.68.01.0040 | 1 |
| 41 | | 00.26.04.0070 | 1 |

| REF. | LEG. | CODE | Q.TY |
|------|------|---------------|------|
| 42 | | 01.50.00.0270 | 2 |
| 43 | | 01.50.00.5580 | 2 |
| 44 | | 00.33.02.0020 | 2 |
| 46 | | 00.92.05.0160 | 1 |
| 47 | | 00.25.01.0080 | 1 |
| 48 | | 00.25.01.0090 | 1 |
| 49 | | 00.40.00.0731 | 2 |
| 50 | | 00.40.00.0741 | 1 |
| 51 | | 00.90.02.0120 | 6 |
| 52 | | 00.68.01.0009 | 6 |
| 53 | | 00.26.04.0020 | 6 |
| 54 | | 01.40.00.2270 | 1 |
| 55 | | 00.98.00.0008 | 0,16 |
| 56 | | 00.99.00.0220 | 1 |
| 57 | | 00.78.01.0011 | 6 |
| 58 | | 00.92.05.0110 | 8 |
| 59 | | 00.26.03.0060 | 1 |
| 60 | | 00.40.00.0240 | 1 |
| 61 | | 00.47.00.0010 | 1 |
| 64 | | 01.50.00.6931 | 1 |
| 65 | | 01.50.00.4943 | 1 |
| 66 | | 00.26.02.1060 | 1 |
| 67 | | 00.26.01.0060 | 2 |
| 68 | | 00.78.01.0111 | 2 |



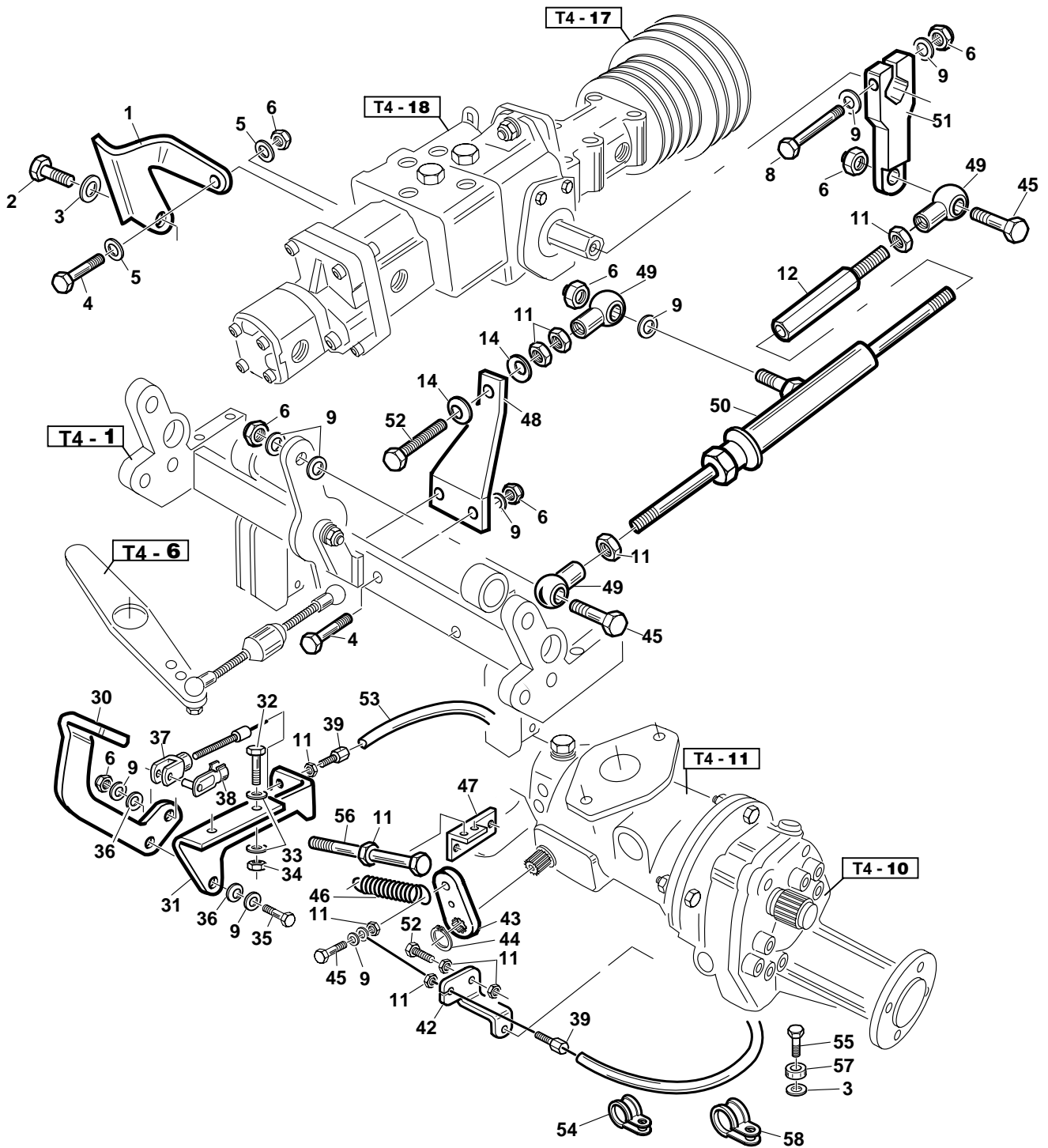
EFFETTIVO DA
EFFECTIVE FROM
EFFECTIVE DEPUIS

>>H 57056

T4 - 07

T1 - T2 - T4

30-04-2003



| REF. | LEG. | CODE | Q.TY | REF. | LEG. | CODE | Q.TY | REF. | LEG. | CODE | Q.TY |
|------|------|---------------|------|------|------|---------------|------|------|------|---------------|------|
| 1 | | 01.50.00.6070 | 1 | 32 | | 00.92.03.1070 | 3 | 47 | | 01.50.00.2500 | 1 |
| 2 | | 00.92.06.1060 | 1 | 33 | | 00.68.02.0030 | 6 | 48 | | 01.50.00.5441 | 1 |
| 3 | | 00.68.01.0040 | 4 | 34 | | 00.26.04.0040 | 3 | 49 | | 00.78.01.0011 | 3 |
| 4 | | 00.92.05.1120 | 3 | 35 | | 00.92.05.1110 | 1 | 50 | | 01.90.00.1181 | 1 |
| 5 | | 00.68.02.0050 | 2 | 36 | | 00.48.00.0112 | 2 | 51 | | 01.50.00.5601 | 1 |
| 6 | | 00.26.04.0060 | 6 | 37 | | 00.33.01.0020 | 1 | 52 | | 00.92.05.1160 | 2 |
| 8 | | 00.92.05.0130 | 1 | 38 | | 00.33.01.0021 | 1 | 53 | | 00.25.01.0110 | 1 |
| 9 | | 00.68.01.0030 | 10 | 39 | | 00.13.03.0020 | 2 | 54 | | 00.29.01.0075 | 1 |
| 11 | | 00.26.02.0060 | 10 | 42 | | 01.50.00.5381 | 1 | 55 | | 00.90.07.0100 | 2 |
| 12 | | 01.50.00.5590 | 1 | 43 | | 01.50.00.5391 | 1 | 56 | | 00.92.05.0250 | 1 |
| 14 | | 00.48.00.0097 | 2 | 44 | | 00.03.00.0160 | 1 | 57 | | 01.50.00.0770 | 1 |
| 30 | | 01.50.00.4924 | 1 | 45 | | 00.92.05.1100 | 3 | 58 | T4 | 00.29.01.0070 | 1 |
| 31 | | 01.50.00.4923 | 1 | 46 | | 00.47.00.0060 | 1 | 58 | T1-2 | 00.29.01.0099 | 1 |

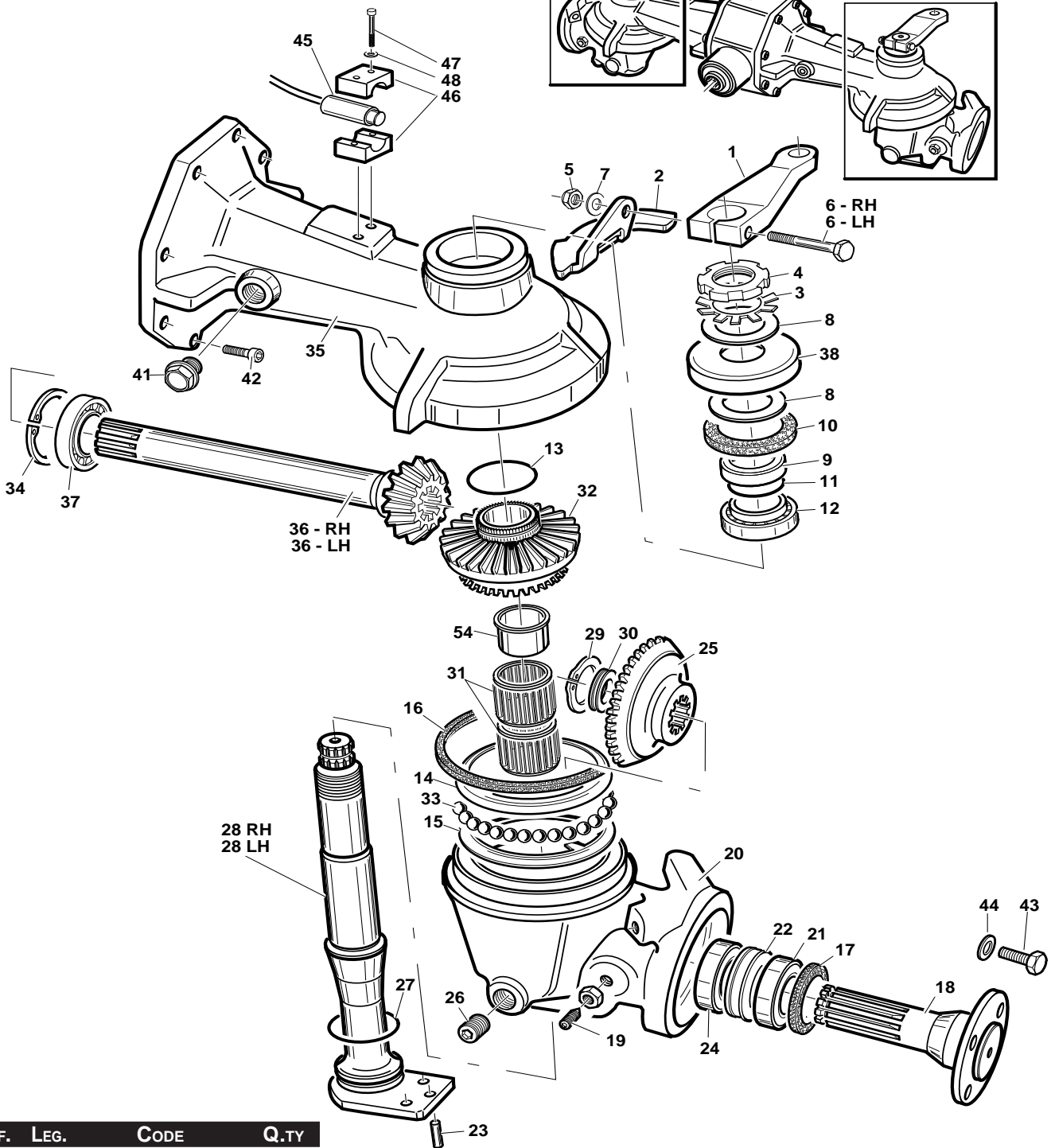


F.59069

T4 - 08

T4

04-04-2003



| REF. | LEG. | CODE | Q.TY |
|------|------|---------------|------|
| 1 | | 01.01.00.0171 | 1 |
| 2 | | 01.50.00.4690 | 1 |
| 3 | | 00.36.10.0070 | 1 |
| 4 | | 00.36.03.2070 | 1 |
| 5 | | 00.26.04.1070 | 1 |
| 6 | LH | 00.92.06.2141 | 1 |
| 6 | RH | 00.92.06.2161 | 1 |
| 7 | | 00.68.01.0040 | 2 |
| 8 | | 00.48.00.0230 | 2 |
| 9 | | 01.40.00.1730 | 1 |
| 10 | | 00.05.40.0055 | 1 |
| 11 | | 00.06.07.0298 | 1 |
| 12 | | 00.21.30.5501 | 1 |
| 13 | | 00.03.20.0055 | 1 |
| 14 | | 01.50.00.6020 | 1 |
| 15 | | 01.50.00.6030 | 1 |
| 16 | | 00.05.00.0157 | 1 |
| 17 | | 00.05.45.0072 | 1 |

| REF. | LEG. | CODE | Q.TY |
|------|------|---------------|------|
| 18 | | 01.40.00.1650 | 1 |
| 19 | | 00.96.06.2100 | 2 |
| 20 | | 01.01.00.0140 | 1 |
| 21 | | 00.22.35.7201 | 1 |
| 22 | | 01.40.00.1720 | 1 |
| 23 | | 00.83.16.1020 | 1 |
| 24 | | 00.22.30.7201 | 1 |
| 25 | | 01.40.00.1610 | 1 |
| 26 | | 00.85.02.0072 | 1 |
| 27 | | 00.06.07.0360 | 1 |
| 28 | RH | 01.50.00.4560 | 1 |
| 28 | LH | 01.50.00.4562 | 1 |
| 29 | | 00.03.00.0320 | 1 |
| 30 | | 01.40.00.1780 | 1 |
| 31 | | 00.35.32.4025 | 2 |
| 32 | | 01.40.00.1620 | 1 |

| REF. | LEG. | CODE | Q.TY |
|------|------|---------------|------|
| 33 | | 00.76.00.0111 | 35 |
| 34 | | 00.03.11.0052 | 1 |
| 35 | | 01.01.00.0160 | 1 |
| 36 | RH | 01.40.00.1630 | 1 |
| 36 | LH | 01.40.00.1640 | 1 |
| 37 | | 00.22.25.5201 | 1 |
| 38 | | 01.50.00.4590 | 1 |
| 41 | | 00.85.03.0002 | 1 |
| 42 | | 00.90.06.0110 | 8 |
| 43 | | 00.92.07.3050 | 4 |
| 44 | | 00.68.05.0010 | 4 |
| 45 | | 00.40.00.0930 | 1 |
| 46 | | 00.41.00.0446 | 1 |
| 47 | | 00.90.02.0100 | 2 |
| 48 | | 00.68.02.0010 | 2 |
| 54 | | 01.20.00.0110 | 1 |

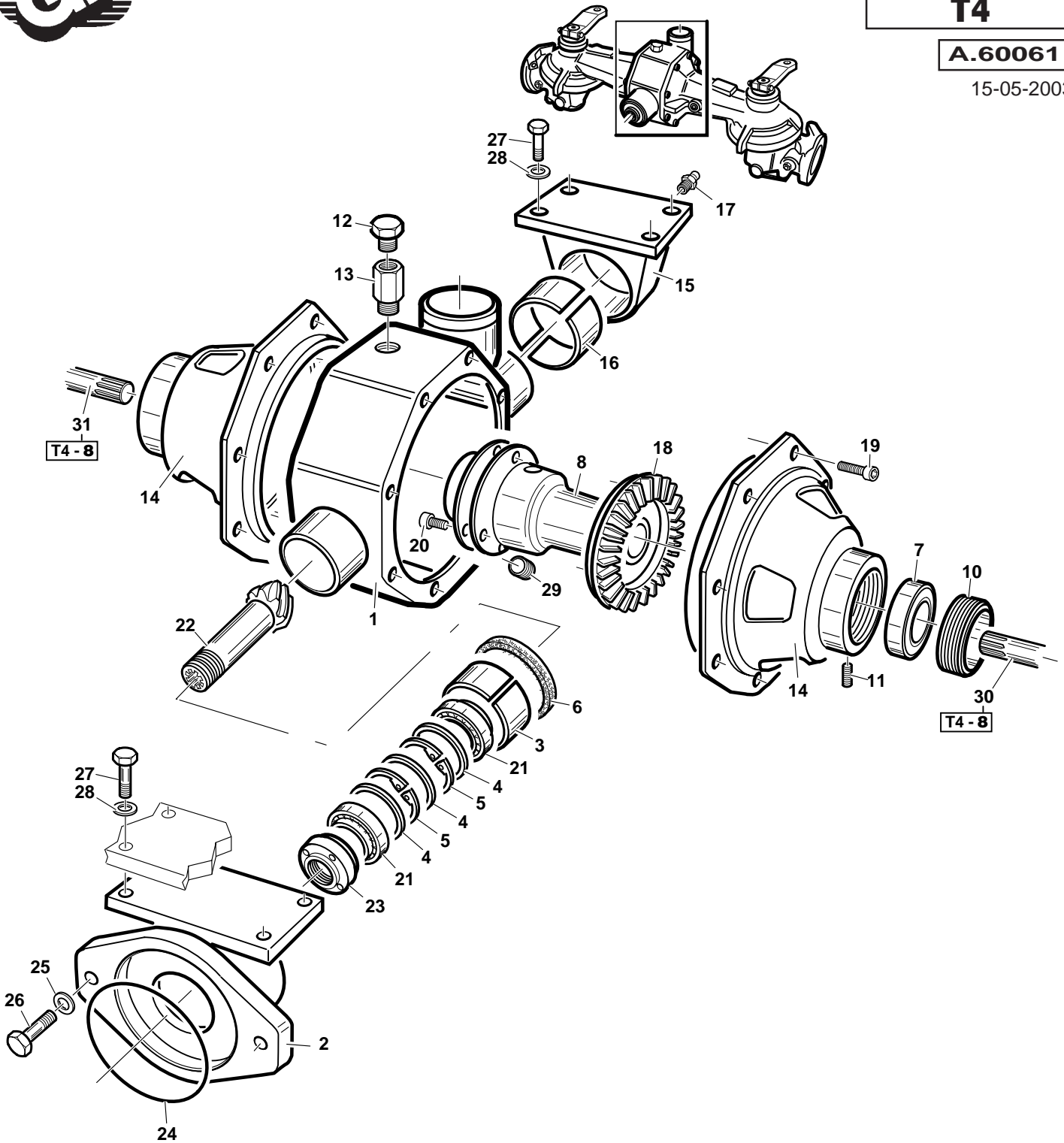


T4 - 09

T4

A.60061

15-05-2003



| REF. | LEG. | CODE | Q.TY |
|------|------|---------------|------|
| 1 | | 01.01.00.0120 | 1 |
| 2 | | 01.50.00.4580 | 1 |
| 3 | | 00.10.70.0040 | 1 |
| 4 | | 01.40.00.1740 | 3 |
| 5 | | 00.03.01.0055 | 2 |
| 6 | | 00.05.70.0085 | 1 |
| 7 | | 00.22.40.6801 | 2 |
| 8 | | 01.90.00.0880 | 1 |
| 10 | | 01.40.00.1770 | 2 |
| 11 | | 00.96.05.2020 | 2 |

| REF. | LEG. | CODE | Q.TY |
|------|------|---------------|------|
| 12 | | 00.85.03.0013 | 1 |
| 13 | | 00.41.00.0933 | 1 |
| 14 | | 01.01.00.0130 | 2 |
| 15 | | 01.50.00.4570 | 1 |
| 16 | | 00.10.45.0030 | 1 |
| 17 | | 00.42.00.0010 | 1 |
| 18 | | 01.40.00.1580 | 1 |
| 19 | | 00.90.06.0110 | 16 |
| 20 | | 00.90.06.0080 | 6 |
| 21 | | 00.21.30.5501 | 2 |

| REF. | LEG. | CODE | Q.TY |
|------|------|---------------|------|
| 22 | | 01.40.00.1590 | 1 |
| 23 | | 01.40.00.1750 | 1 |
| 24 | | 00.06.07.1013 | 1 |
| 25 | | 00.68.01.0050 | 2 |
| 26 | | 00.92.07.3090 | 2 |
| 27 | | 00.92.06.1080 | 8 |
| 28 | | 00.68.01.0040 | 8 |
| 29 | | 00.85.02.0072 | 1 |
| 30 | | 01.40.00.1640 | 1 |
| 31 | | 01.40.00.1630 | 1 |

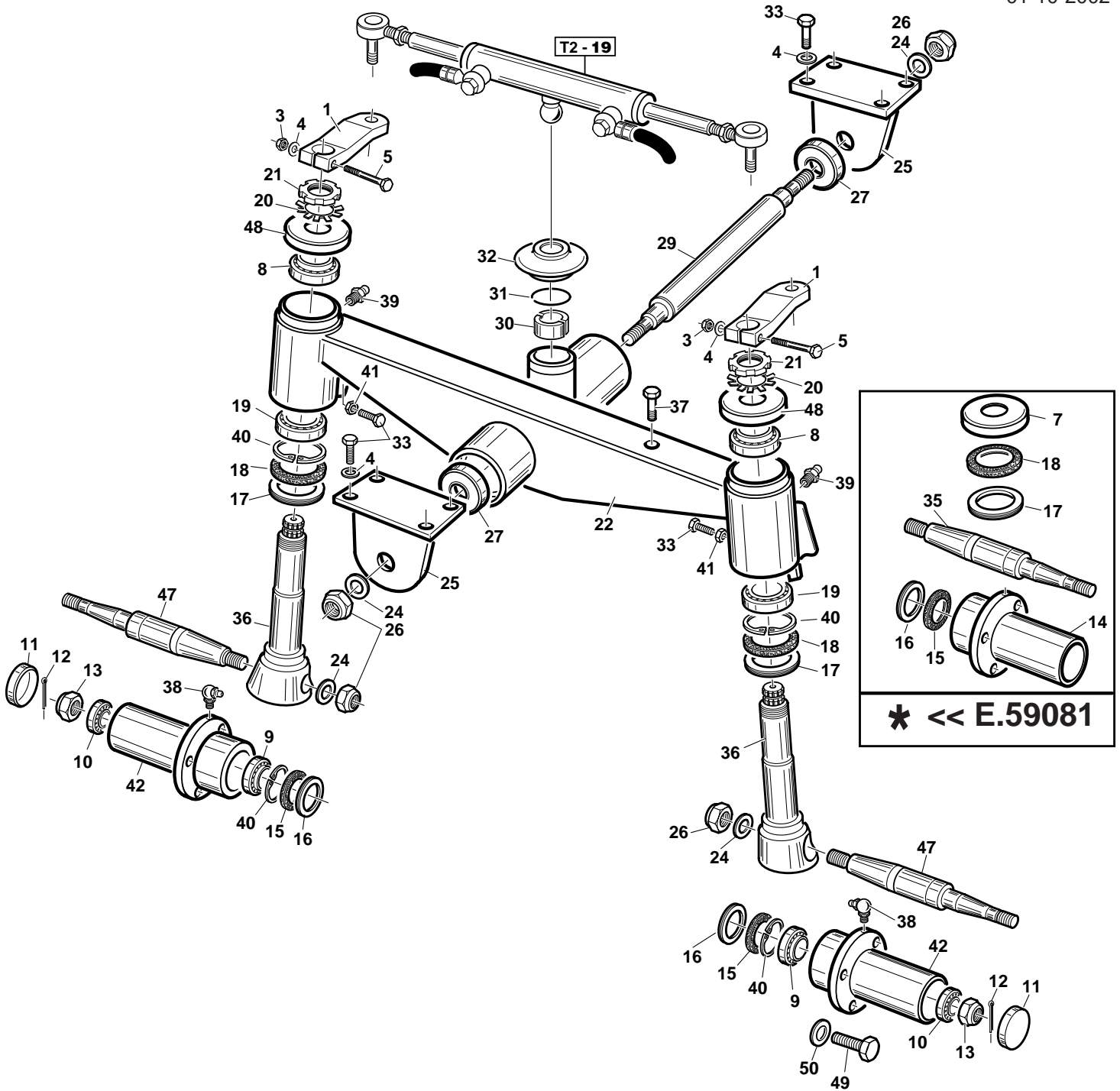


E.59081

T2 - 09

T2

01-10-2002



| REF. | LEG. | CODE | Q.TY |
|------|------|---------------|------|
| 1 | | 01.01.00.0171 | 2 |
| 3 | | 00.26.04.0070 | 2 |
| 4 | | 00.68.01.0040 | 10 |
| 5 | | 00.92.06.2141 | 2 |
| 7 | | 00.07.06.0072 | 2 |
| 8 | | 00.21.30.5501 | 2 |
| 9 | | 00.21.30.6201 | 2 |
| 10 | | 00.21.20.4701 | 2 |
| 11 | | 00.07.06.0047 | 2 |
| 12 | | 00.18.04.0054 | 2 |
| 13 | | 00.26.07.1110 | 2 |
| 14 | | 01.40.00.2380 | 2 |
| 15 | | 00.05.40.0062 | 2 |
| 16 | | 00.07.06.0063 | 2 |

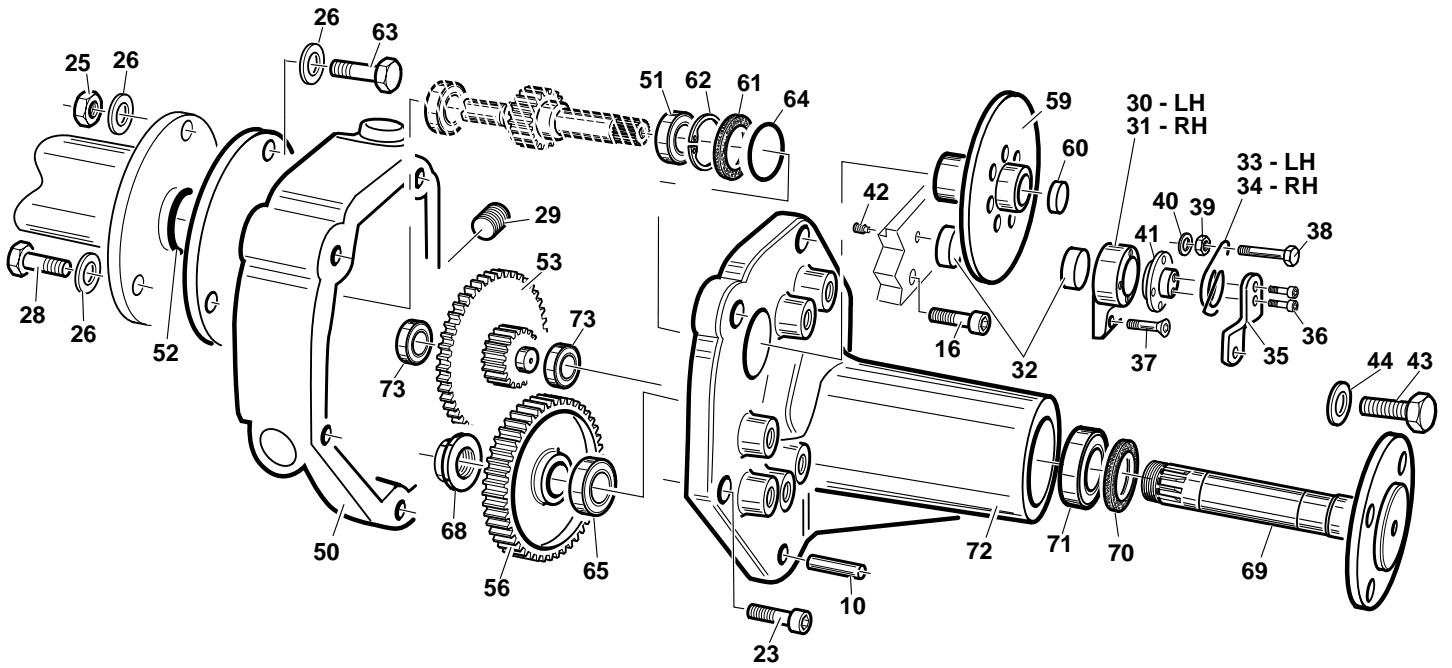
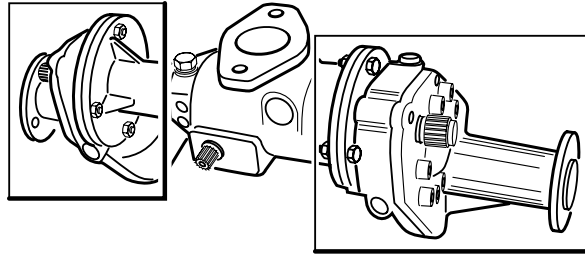
| REF. | LEG. | CODE | Q.TY |
|------|------|---------------|------|
| 17 | | 00.07.06.0064 | 2 |
| 18 | | 00.05.45.0062 | 2 |
| 19 | | 00.21.35.6201 | 2 |
| 20 | | 00.36.10.0070 | 2 |
| 21 | | 00.36.03.2070 | 1 |
| 22 | | 01.50.00.6280 | 1 |
| 24 | | 00.68.01.0090 | 4 |
| 25 | | 01.50.00.6290 | 2 |
| 26 | | 00.26.04.1120 | 4 |
| 27 | | 00.22.00.0270 | 2 |
| 29 | | 01.50.00.6300 | 1 |
| 30 | | 01.20.00.0100 | 1 |
| 31 | | 01.20.00.0101 | 1 |
| 32 | | 00.07.01.0120 | 1 |

| REF. | LEG. | CODE | Q.TY |
|------|------|---------------|------|
| 33 | | 00.92.06.1090 | 10 |
| 35 | | 01.40.00.2371 | 2 |
| 36 | | 01.40.00.2372 | 2 |
| 37 | | 00.92.05.1040 | 2 |
| 38 | | 00.42.00.0030 | 2 |
| 39 | | 00.42.00.0020 | 3 |
| 40 | | 00.03.01.0062 | 2 |
| 41 | | 00.26.02.0080 | 2 |
| 42 | | 01.40.00.2381 | 2 |
| 47 | | 01.40.00.2373 | 2 |
| 48 | | 01.50.00.4590 | 2 |
| 49 | | 00.92.07.3050 | 8 |
| 50 | | 00.68.05.0010 | 8 |



T4 - 10A
T1 - T2 - T4

15-01-2003



| REF. | LEG. | CODE | Q.TY |
|------|------|---------------|------|
| 10 | | 00.83.14.2024 | 2 |
| 16 | | 00.90.06.0110 | 4 |
| 23 | | 00.90.06.0080 | 8 |
| 25 | | 00.26.02.0080 | 2 |
| 26 | | 00.68.01.0040 | 4 |
| 28 | | 00.92.06.1040 | 2 |
| 29 | | 00.85.00.0090 | 2 |
| 30 | | 00.34.01.0030 | 1 |
| 31 | | 00.34.01.0031 | 1 |
| 32 | | 00.34.01.0034 | 2 |
| 33 | | 00.47.00.0280 | 1 |
| 34 | | 00.47.00.0290 | 1 |
| 35 | | 01.50.00.5540 | 1 |
| 36 | | 00.90.04.0070 | 2 |

| REF. | LEG. | CODE | Q.TY |
|------|------|---------------|------|
| 37 | | 00.95.05.0070 | 1 |
| 38 | | 00.92.05.0160 | 1 |
| 39 | | 00.26.02.0060 | 1 |
| 40 | | 00.68.01.0030 | 1 |
| 41 | | 00.34.01.0035 | 1 |
| 42 | | 00.96.06.0040 | 1 |
| 43 | | 00.92.07.3050 | 4 |
| 44 | | 00.68.05.0010 | 4 |
| 50 | | 01.01.00.0230 | 1 |
| 51 | | 00.22.25.5201 | 2 |
| 52 | | 00.06.07.0521 | 1 |
| 53 | | 01.40.00.1901 | 1 |
| 56 | | 01.40.00.1911 | 1 |
| 59 | | 01.40.00.2101 | 1 |

| REF. | LEG. | CODE | Q.TY |
|------|------|---------------|------|
| 60 | | 00.07.06.0032 | 1 |
| 61 | | 00.05.25.2052 | 1 |
| 62 | | 00.03.01.0052 | 1 |
| 63 | | 00.92.06.0120 | 2 |
| 64 | | 00.06.07.0202 | 1 |
| 65 | | 00.21.30.6201 | 2 |
| 68 | | 01.40.00.2530 | 2 |
| 69 | | 01.40.00.0302 | 2 |
| 70 | | 00.05.45.0062 | 2 |
| 71 | | 00.21.35.6201 | 2 |
| 72 | | 01.01.00.0260 | 2 |
| 73 | | 00.20.17.4702 | 4 |



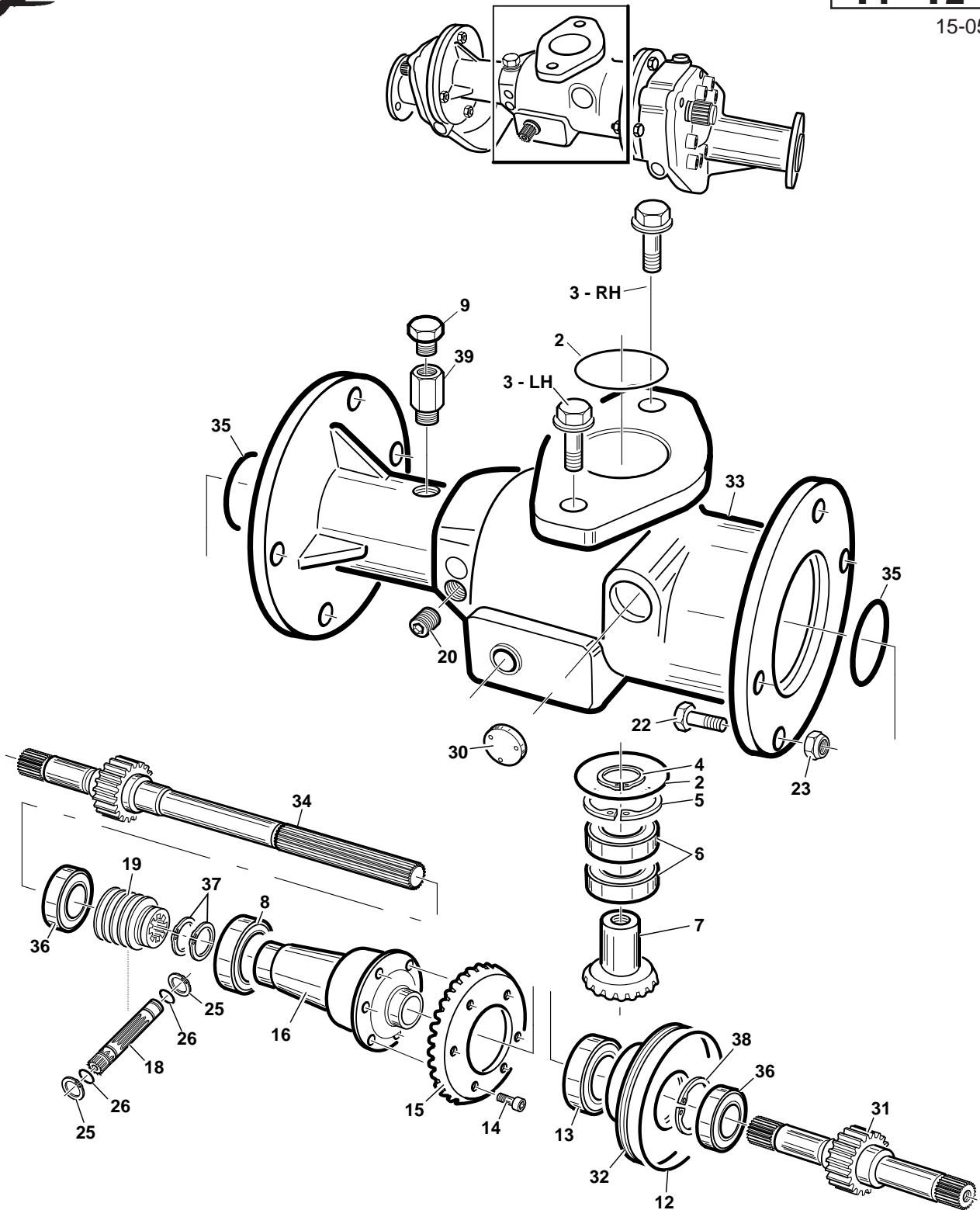
EFFETTIVO DA
EFFECTIVE FROM
EFFECTIVE DEPUIS

>>N 54098

T4 - 11A

T1 - T2 - T4

15-05-2003



| REF. | LEG. | CODE | Q.TY |
|------|------|---------------|------|
| 2 | | 00.06.07.0822 | 1 |
| 3 | RH | 00.92.07.2100 | 1 |
| 3 | LH | 00.92.07.3090 | 1 |
| 4 | | 00.03.00.0310 | 1 |
| 5 | | 00.03.01.0072 | 1 |
| 6 | | 00.22.35.7201 | 2 |
| 7 | | 01.40.00.1570 | 1 |
| 8 | | 00.22.45.7501 | 1 |
| 9 | | 00.85.03.0013 | 1 |
| 12 | | 00.06.07.1013 | 1 |

| REF. | LEG. | CODE | Q.TY |
|------|------|---------------|------|
| 13 | | 00.22.40.6801 | 1 |
| 14 | | 00.90.06.0050 | 6 |
| 15 | | 01.40.00.1560 | 1 |
| 16 | | 01.90.00.0730 | 1 |
| 18 | | 01.40.00.1760 | 1 |
| 19 | | 01.40.00.1810 | 1 |
| 20 | | 00.85.02.0072 | 1 |
| 22 | | 00.92.06.1090 | 8 |
| 23 | | 00.26.02.0080 | 8 |
| 25 | | 00.03.00.0160 | 2 |

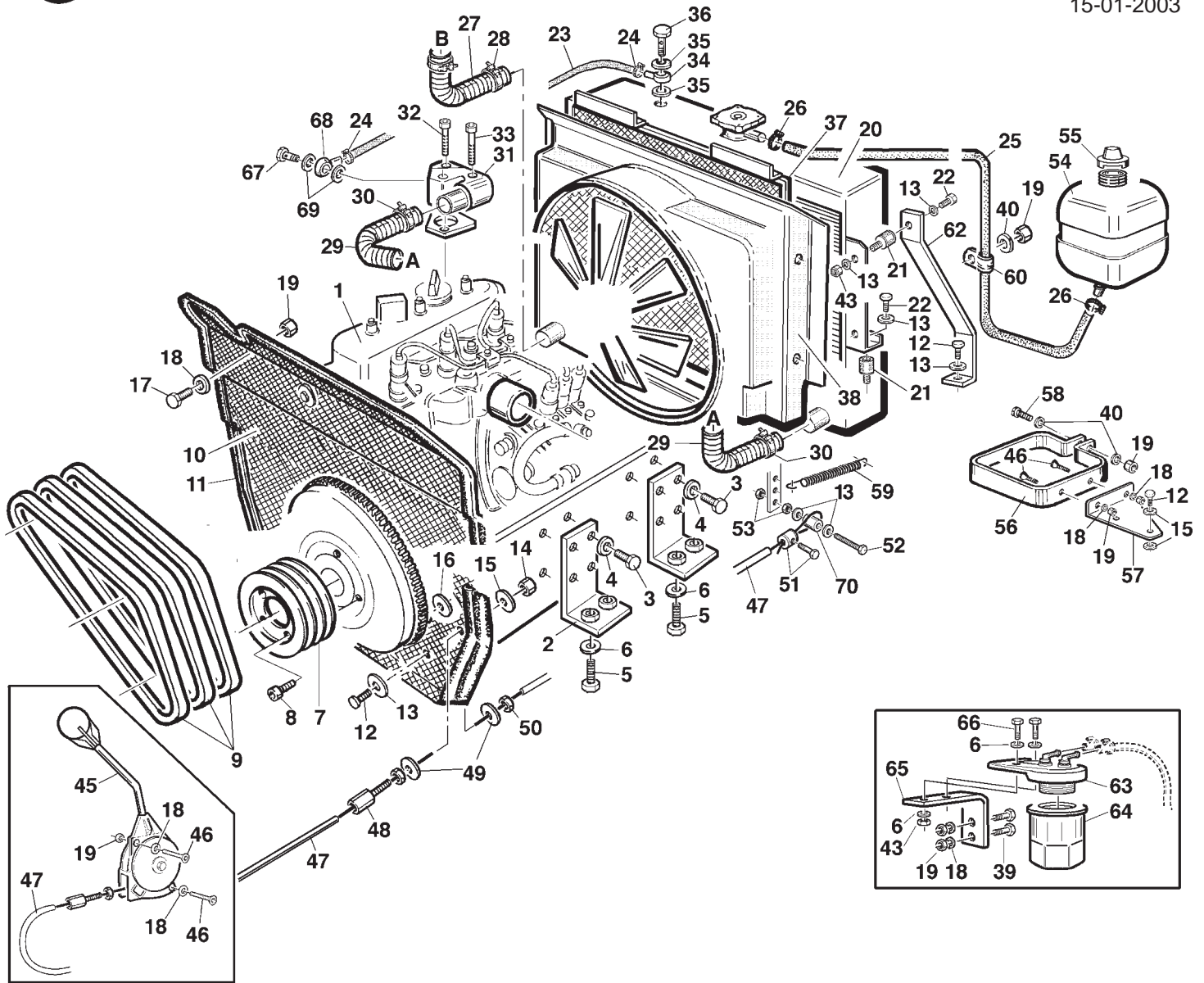
| REF. | LEG. | CODE | Q.TY |
|------|------|---------------|------|
| 26 | | 00.06.07.0150 | 2 |
| 30 | | 00.07.06.0032 | 1 |
| 31 | | 01.40.00.1671 | 1 |
| 32 | | 01.01.00.0111 | 1 |
| 33 | | 01.01.00.0240 | 1 |
| 34 | | 01.40.00.1681 | 1 |
| 35 | | 00.06.07.0521 | 1 |
| 36 | | 00.22.25.5201 | 2 |
| 37 | | 00.03.00.0310 | 2 |
| 38 | | 00.03.01.0052 | 1 |
| 39 | | 00.41.00.0933 | 1 |



C.61065

T4 - 12
T1 - T2 - T4

15-01-2003



| REF. | LEG. | CODE | Q.TY |
|------|-------|---------------|------|
| 1 | T4-T2 | 00.54.01.0040 | 1 |
| 1 | T1 | 00.54.01.0030 | 1 |
| 2 | | 01.50.00.5260 | 4 |
| 3 | | 00.92.06.3050 | 16 |
| 4 | | 00.68.07.0080 | 16 |
| 5 | | 00.92.06.1080 | 8 |
| 6 | | 00.68.01.0040 | 8 |
| 7 | | 00.61.00.0500 | 1 |
| 8 | | 00.90.07.1160 | 6 |
| 9 | | 00.17.01.0070 | 3 |
| 10 | | 01.50.00.5010 | 1 |
| 11 | | 00.11.01.2000 | 1,6 |
| 12 | | 00.92.05.1070 | 10 |
| 13 | | 00.68.02.0050 | 19 |
| 14 | | 00.26.01.0060 | 4 |
| 15 | | 00.68.01.0030 | 10 |
| 16 | | 00.07.01.0031 | 1 |
| 17 | | 00.92.03.1070 | 1 |
| 18 | | 00.68.01.0020 | 9 |
| 19 | | 00.26.04.0040 | 11 |
| 20 | | 00.54.10.0040 | 1 |
| 21 | | 00.74.03.0070 | 4 |
| 22 | | 00.92.05.1040 | 4 |

| REF. | LEG. | CODE | Q.TY |
|------|------|---------------|------|
| 23 | | 00.89.02.0000 | 0,6 |
| 24 | | 00.29.02.0016 | 2 |
| 25 | | 00.89.10.3000 | 0,9 |
| 26 | | 00.29.10.0030 | 2 |
| 27 | | 00.07.07.0140 | 1 |
| 28 | | 00.29.02.1043 | 2 |
| 29 | | 00.07.07.0120 | 1 |
| 30 | | 00.29.02.1039 | 2 |
| 31 | | 00.55.01.0570 | 1 |
| 32 | | 00.92.05.0150 | 1 |
| 33 | | 00.92.05.0170 | 1 |
| 34 | | 00.41.00.0190 | 1 |
| 35 | | 00.41.00.0210 | 2 |
| 36 | | 00.41.00.0200 | 1 |
| 37 | | 00.54.10.0041 | 1 |
| 38 | | 00.54.10.0042 | 1 |
| 39 | | 00.92.03.1090 | 2 |
| 40 | | 00.68.02.0030 | 3 |
| 43 | | 00.26.04.0060 | 4 |
| 45 | | 00.25.00.0070 | 1 |
| 46 | | 00.95.04.0060 | 4 |
| 47 | | 00.25.01.0100 | 1 |

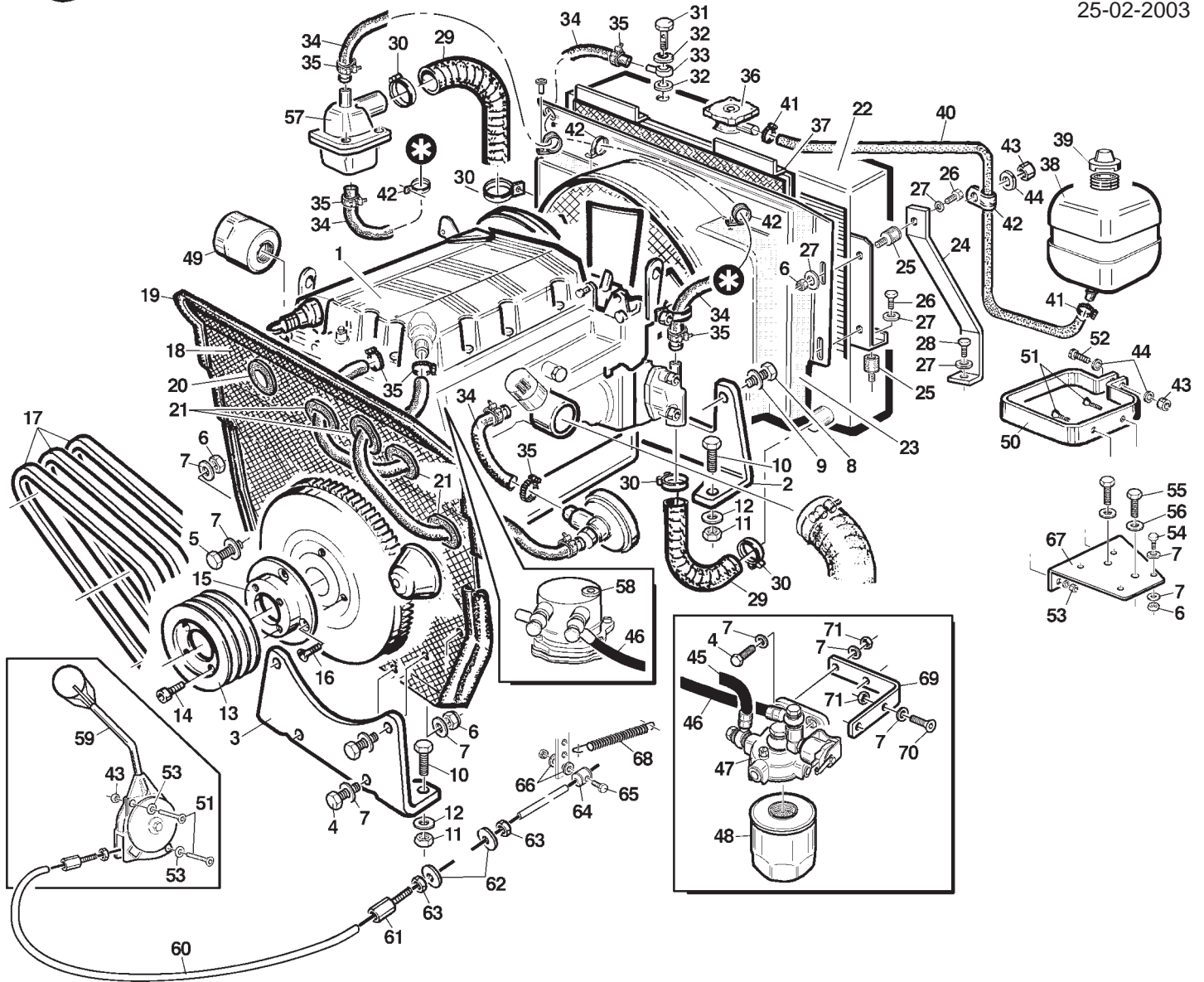
| REF. | LEG. | CODE | Q.TY |
|------|------|---------------|------|
| 48 | | 00.13.03.0010 | 1 |
| 49 | | 00.68.03.0030 | 2 |
| 50 | | 00.26.02.0040 | 1 |
| 51 | | 00.52.00.0030 | 1 |
| 52 | | 00.92.05.1160 | 1 |
| 53 | | 00.26.02.0060 | 2 |
| 54 | | 00.75.00.0040 | 1 |
| 55 | | 00.75.00.0041 | 1 |
| 56 | | 01.50.00.3020 | 1 |
| 57 | | 01.50.00.5650 | 1 |
| 58 | | 00.92.03.1120 | 1 |
| 59 | | 00.47.00.0040 | 1 |
| 60 | | 00.29.00.0160 | 1 |
| 62 | | 01.50.00.6510 | 2 |
| 63 | | 00.55.01.0390 | 1 |
| 64 | | 00.32.03.0040 | 1 |
| 65 | | 01.50.00.5282 | 1 |
| 66 | | 00.92.05.0100 | 2 |
| 67 | | 00.41.00.0120 | 1 |
| 68 | | 00.41.00.0281 | 1 |
| 69 | | 00.41.00.0060 | 2 |
| 70 | | 01.40.00.0490 | 1 |



T1 - 12A

T1 - T2 - T4

25-02-2003



| REF. | LEG. | CODE | Q.TY | REF. | LEG. | CODE | Q.TY | REF. | LEG. | CODE | Q.TY |
|------|-------|---------------|------|------|------|---------------|------|------|-------|---------------|------|
| 1 | T1 | 00.54.04.0015 | 1 | 23 | | 00.54.10.0043 | 1 | 48 | T1 | 00.32.02.0010 | 1 |
| 1 | T2-T4 | 00.54.04.0030 | 1 | 24 | | 01.50.00.6510 | 2 | 49 | T2-T4 | 00.32.02.0030 | 1 |
| 2 | | 01.50.00.7001 | 1 | 25 | | 00.74.03.0070 | 4 | 49 | T2-T4 | 00.32.00.0080 | 1 |
| 3 | | 01.50.00.7000 | 1 | 26 | | 00.92.05.1040 | 6 | 50 | | 01.50.00.3020 | 1 |
| 4 | | 00.92.05.1100 | 6 | 27 | | 00.68.02.0050 | 12 | 51 | | 00.95.04.0060 | 4 |
| 5 | | 00.92.05.1080 | 1 | 28 | | 00.92.05.1070 | 2 | 52 | | 00.92.03.1120 | 1 |
| 6 | | 00.26.04.0060 | 11 | 29 | | 00.07.07.0120 | 1,05 | 53 | | 00.68.01.0020 | 6 |
| 7 | | 00.68.01.0030 | 20 | 30 | | 00.29.02.1039 | 4 | 54 | | 00.92.05.1070 | 4 |
| 8 | | 00.92.07.1070 | 4 | 31 | | 00.41.00.0200 | 1 | 55 | | 00.92.07.1010 | 2 |
| 9 | | 00.68.01.0050 | 4 | 32 | | 00.41.00.0210 | 2 | 56 | | 00.68.01.0050 | 2 |
| 10 | | 00.92.06.0100 | 4 | 33 | | 00.41.00.0190 | 1 | 57 | | 00.55.04.0020 | 1 |
| 11 | | 00.26.04.0070 | 4 | 34 | | 00.89.02.0000 | 0,6 | 58 | | 00.55.04.0160 | 1 |
| 12 | | 00.68.02.0070 | 4 | 35 | | 00.29.02.0016 | 6 | 59 | | 00.25.00.0070 | 1 |
| 13 | T1 | 00.61.00.0560 | 1 | 36 | | 00.54.10.0023 | 1 | 60 | | 00.25.01.0101 | 1 |
| 13 | T2-T4 | 00.61.00.0500 | 1 | 37 | | 00.54.10.0041 | 1 | 61 | | 00.13.03.0010 | 1 |
| 14 | | 00.90.07.1160 | 6 | 38 | | 00.75.00.0040 | 1 | 62 | | 00.68.03.0030 | 2 |
| 15 | T1 | 01.40.00.1160 | 1 | 39 | | 00.75.00.0041 | 1 | 63 | | 00.26.02.0040 | 1 |
| 16 | | 00.95.06.0040 | 4 | 40 | | 00.89.10.3000 | 0,9 | 64 | | 00.52.00.0030 | 1 |
| 17 | T1 | 00.17.01.0040 | 3 | 41 | | 00.29.10.0030 | 2 | 65 | | 00.92.02.1050 | 1 |
| 17 | T2-T4 | 00.17.01.0070 | 3 | 42 | | 00.29.01.0075 | 5 | 66 | | 00.68.02.0020 | 2 |
| 18 | | 01.50.00.7340 | 1 | 43 | | 00.26.04.0040 | 7 | 67 | | 01.50.00.5650 | 1 |
| 19 | | 00.11.01.2000 | 1,6 | 44 | | 00.68.02.0030 | 6 | 68 | | 00.47.00.0040 | 1 |
| 20 | | 00.07.01.0032 | 2 | 45 | | 00.89.02.0001 | 1 | 69 | | 01.50.00.5283 | 1 |
| 21 | | 00.07.01.0034 | 4 | 46 | | 00.89.02.0002 | 1 | 70 | | 00.95.05.0040 | 2 |
| 22 | | 00.54.10.0040 | 1 | 47 | | 00.55.04.0080 | 1 | 71 | | 00.26.05.0060 | 4 |

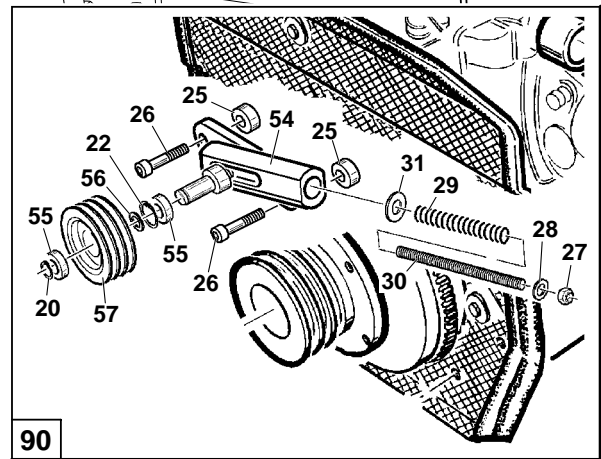
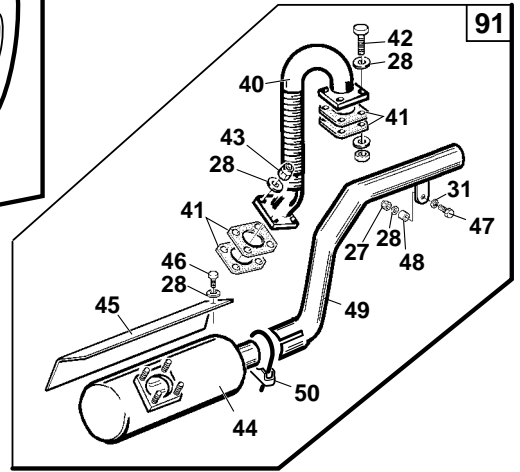
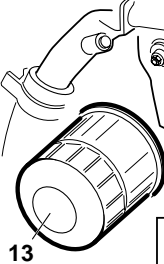
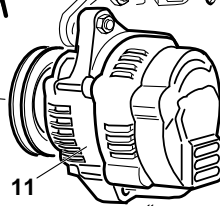
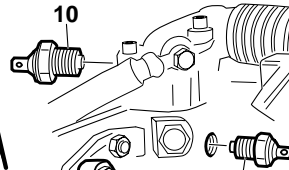
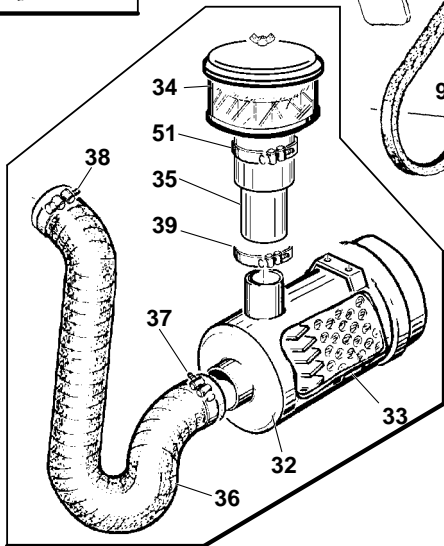
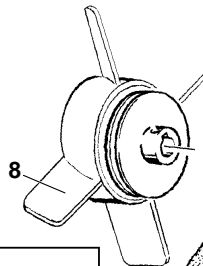
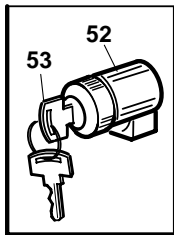
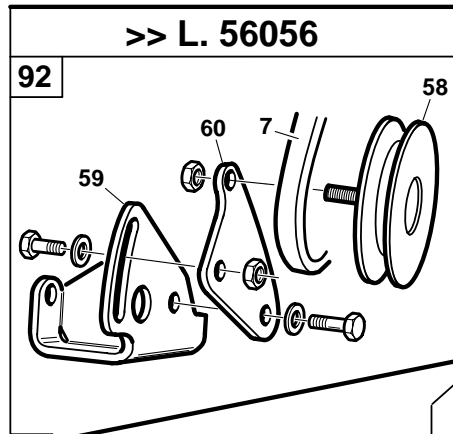
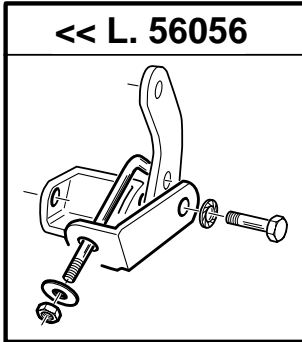


L.56056

T4 - 13

T1 - T2 - T4

25-02-2003



| REF. | LEG. | CODE | Q.TY |
|------|------|---------------|------|
| 7 | | 00.17.04.0220 | 1 |
| 8 | | 00.55.01.0520 | 1 |
| 9 | | 00.17.00.0310 | 1 |
| 10 | | 00.55.01.0201 | 1 |
| 11 | | 00.55.01.0550 | 1 |
| 12 | | 00.55.01.0560 | 1 |
| 13 | | 00.32.03.0050 | 1 |
| 14 | | 00.55.01.0120 | 1 |
| 15 | | 00.55.01.0200 | 1 |
| 20 | | 00.03.00.0110 | 1 |
| 22 | | 01.40.00.1090 | 1 |
| 25 | | 01.40.00.2120 | 2 |
| 26 | | 00.90.07.1150 | 2 |
| 27 | | 00.26.04.0060 | 2 |
| 28 | | 00.68.01.0030 | 12 |
| 29 | | 00.47.00.0101 | 1 |
| 30 | | 01.50.00.4993 | 1 |
| 31 | | 00.68.03.0040 | 2 |

| REF. | LEG. | CODE | Q.TY |
|------|------|---------------|------|
| 32 | | 00.55.01.0410 | 1 |
| 33 | | 00.32.03.0060 | 1 |
| 34 | | 00.32.03.0030 | 1 |
| 35 | | 00.07.07.0150 | 1 |
| 36 | | 00.07.07.0130 | 1 |
| 37 | | 00.29.02.0060 | 1 |
| 38 | | 00.29.02.1075 | 1 |
| 39 | | 00.29.02.0070 | 1 |
| 40 | | 01.50.00.5180 | 1 |
| 41 | | 00.55.01.0210 | 4 |
| 42 | | 00.92.05.1070 | 4 |
| 43 | | 00.26.01.0060 | 4 |
| 44 | | 00.46.00.0040 | 1 |
| 45 | | 01.50.00.4010 | 1 |
| 46 | | 00.92.05.1010 | 2 |
| 47 | | 00.92.05.0140 | 1 |
| 48 | | 01.50.00.0770 | 1 |

| REF. | LEG. | CODE | Q.TY |
|------|-------|---------------|------|
| 49 | T1 | 00.46.00.0042 | |
| 49 | T2-T4 | 00.46.00.0041 | 1 |
| 50 | | 00.52.01.0045 | 1 |
| 51 | | 00.29.02.0080 | 1 |
| 52 | | 00.55.01.0091 | 1 |
| 53 | | 00.55.01.0170 | 2 |
| 54 | | 01.50.00.4994 | 1 |
| 55 | | 00.22.15.4201 | 2 |
| 56 | | 00.03.01.0042 | 1 |
| 57 | | 00.61.00.0371 | 1 |
| 58 | | 00.55.01.0510 | 1 |
| 59 | | 00.55.01.0711 | 1 |
| 60 | | 00.55.01.0712 | 1 |
| 90 | | 01.90.00.1272 | 1 |
| 91 | | 01.90.00.1274 | 1 |
| 92 | | 00.55.01.0710 | 1 |

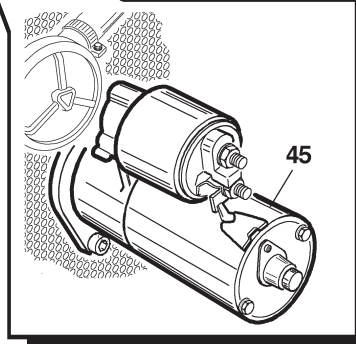
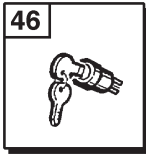
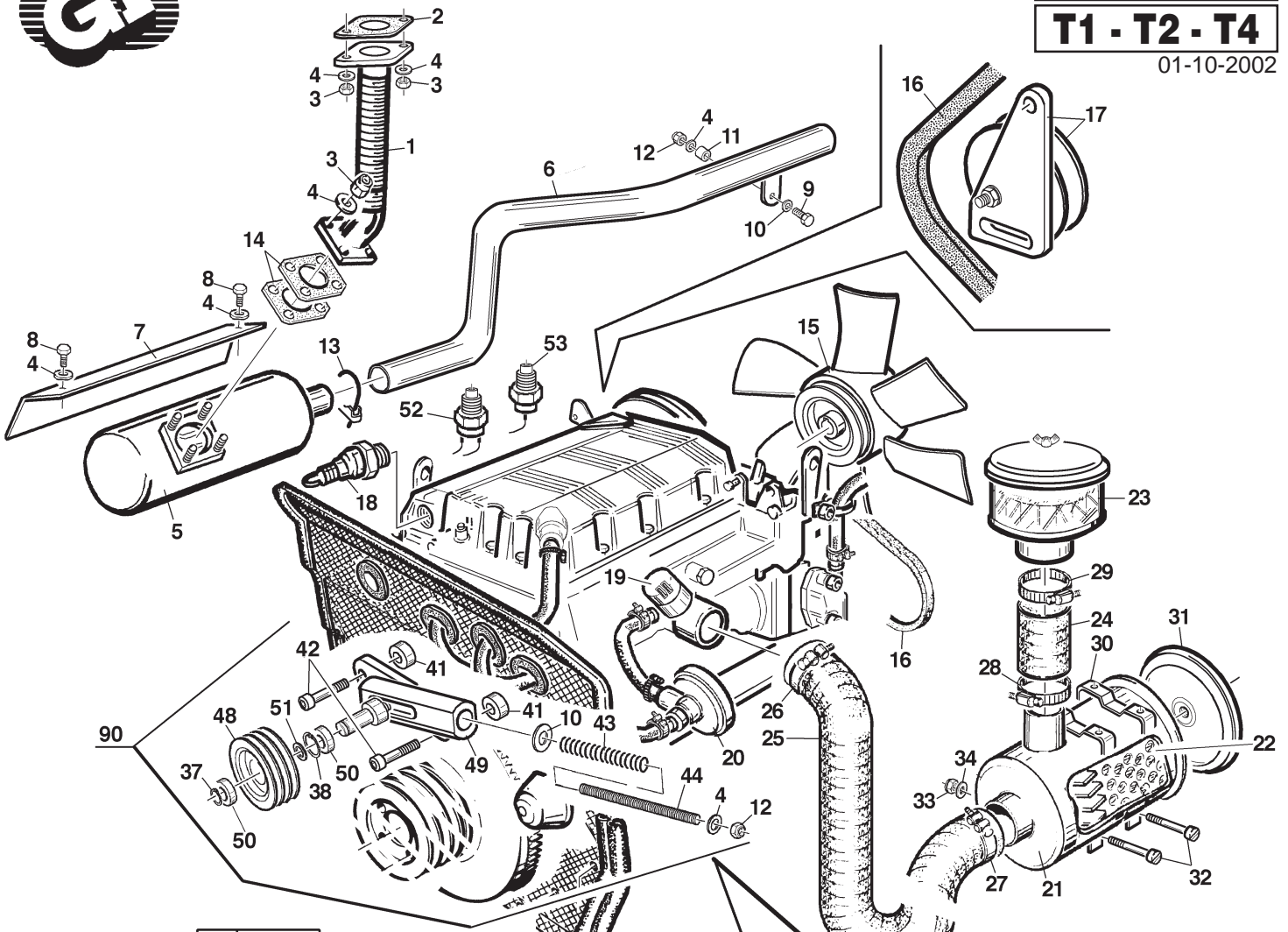


H.53086

T1 - 13A

T1 - T2 - T4

01-10-2002



| REF. | LEG. | CODE | Q.TY |
|------|-------|---------------|------|
| 1 | | 01.50.00.4070 | 1 |
| 2 | | 00.55.04.0050 | 2 |
| 3 | | 00.26.01.0060 | 6 |
| 4 | | 00.68.01.0030 | 12 |
| 5 | | 00.46.00.0040 | 1 |
| 6 | T1 | 00.46.00.0042 | 1 |
| 6 | T2-T4 | 00.46.00.0041 | 1 |
| 7 | | 01.50.00.4010 | 1 |
| 8 | | 00.92.05.1010 | 2 |
| 9 | | 00.92.05.0140 | 1 |
| 10 | | 00.68.03.0040 | 2 |
| 11 | | 01.50.00.0770 | 1 |
| 12 | | 00.26.04.0060 | 3 |
| 13 | | 00.52.01.0045 | 1 |
| 14 | | 00.55.01.0210 | 2 |
| 15 | | 00.55.04.0150 | 1 |
| 16 | | 00.55.04.0120 | 1 |
| 17 | | 00.55.04.0180 | 1 |
| 18 | | 00.55.04.0210 | 1 |
| 19 | | 00.55.04.0190 | 1 |
| 20 | | 00.55.04.0200 | 1 |
| 21 | | 00.32.04.0010 | 1 |

| REF. | LEG. | CODE | Q.TY |
|------|------|---------------|------|
| 22 | | 00.32.04.0012 | 1 |
| 23 | | 00.32.03.0030 | 1 |
| 24 | | 00.07.07.0150 | 1 |
| 25 | | 00.07.07.0130 | 1 |
| 26 | | 00.29.02.1065 | 1 |
| 27 | | 00.29.02.0060 | 1 |
| 28 | | 00.29.02.0070 | 1 |
| 29 | | 00.29.02.0080 | 1 |
| 30 | | 00.32.04.0011 | 2 |
| 31 | | 00.32.04.0013 | 1 |
| 32 | | 00.91.06.0150 | 2 |
| 33 | | 00.26.02.0040 | 2 |
| 34 | | 00.68.01.0020 | 2 |
| 37 | | 00.03.00.0110 | 1 |
| 38 | | 01.40.00.1090 | 1 |

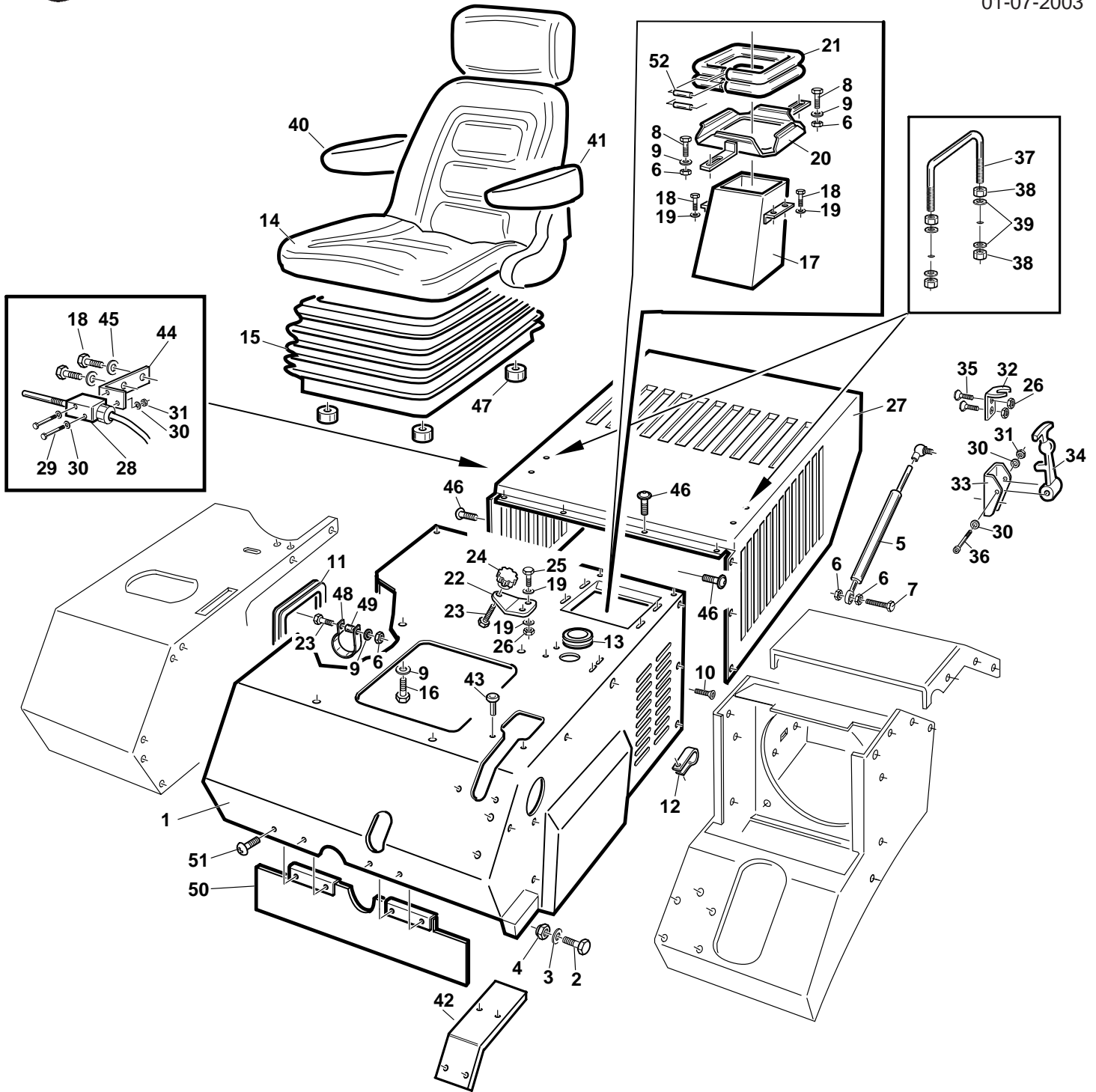
| REF. | LEG. | CODE | Q.TY |
|------|------|---------------|------|
| 41 | | 01.40.00.2120 | 2 |
| 42 | | 00.90.06.0140 | 2 |
| 43 | | 00.47.00.0101 | 1 |
| 44 | | 01.50.00.4993 | 1 |
| 45 | | 00.55.04.0100 | 1 |
| 46 | | 00.40.00.0081 | 1 |
| 48 | | 00.61.00.0371 | 1 |
| 49 | | 01.50.00.4994 | 1 |
| 50 | | 00.22.15.4201 | 2 |
| 51 | | 00.03.01.0042 | 1 |
| 52 | | 00.40.00.0581 | 1 |
| 53 | | 00.40.00.0570 | 1 |
| 90 | | 01.90.00.1272 | 1 |



OL. 53072

T4 - 14
T1 - T2 - T4

01-07-2003



| REF. | LEG. | CODE | Q.TY |
|------|------|---------------|------|
| 1 | | 01.50.00.5140 | 1 |
| 2 | | 00.92.07.0130 | 2 |
| 3 | | 00.68.01.0050 | 2 |
| 4 | | 00.26.04.0080 | 2 |
| 5 | | 00.99.00.0200 | 2 |
| 6 | | 00.26.04.0060 | 6 |
| 7 | | 00.92.05.1100 | 2 |
| 8 | | 00.92.05.1070 | 2 |
| 9 | | 00.68.01.0030 | 5 |
| 10 | | 00.95.05.0040 | 2 |
| 11 | | 00.11.01.1000 | 0.6 |
| 12 | | 00.29.01.0080 | 2 |
| 13 | | 00.07.01.0034 | 1 |
| 14 | | 00.73.00.0031 | 1 |
| 15 | | 00.73.00.0032 | 1 |
| 16 | | 00.92.05.1080 | 4 |
| 17 | | 01.50.00.3761 | 1 |

| REF. | LEG. | CODE | Q.TY |
|------|------|---------------|------|
| 18 | | 00.92.03.1050 | 6 |
| 19 | | 00.68.01.0020 | 4 |
| 20 | | 01.50.00.4622 | 1 |
| 21 | | 00.07.02.0030 | 0,5 |
| 22 | | 01.50.00.6060 | 1 |
| 23 | | 00.92.05.1170 | 2 |
| 24 | | 00.45.00.0006 | 1 |
| 25 | | 00.92.03.1070 | 2 |
| 26 | | 00.26.04.0040 | 6 |
| 27 | | 01.50.00.5150 | 1 |
| 28 | | 00.40.00.0041 | 1 |
| 29 | | 00.90.02.0120 | 2 |
| 30 | | 00.68.01.0009 | 6 |
| 31 | | 00.26.04.0020 | 4 |
| 32 | | 01.50.00.6350 | 2 |
| 33 | | 01.50.00.6340 | 2 |
| 34 | | 00.07.02.0050 | 2 |

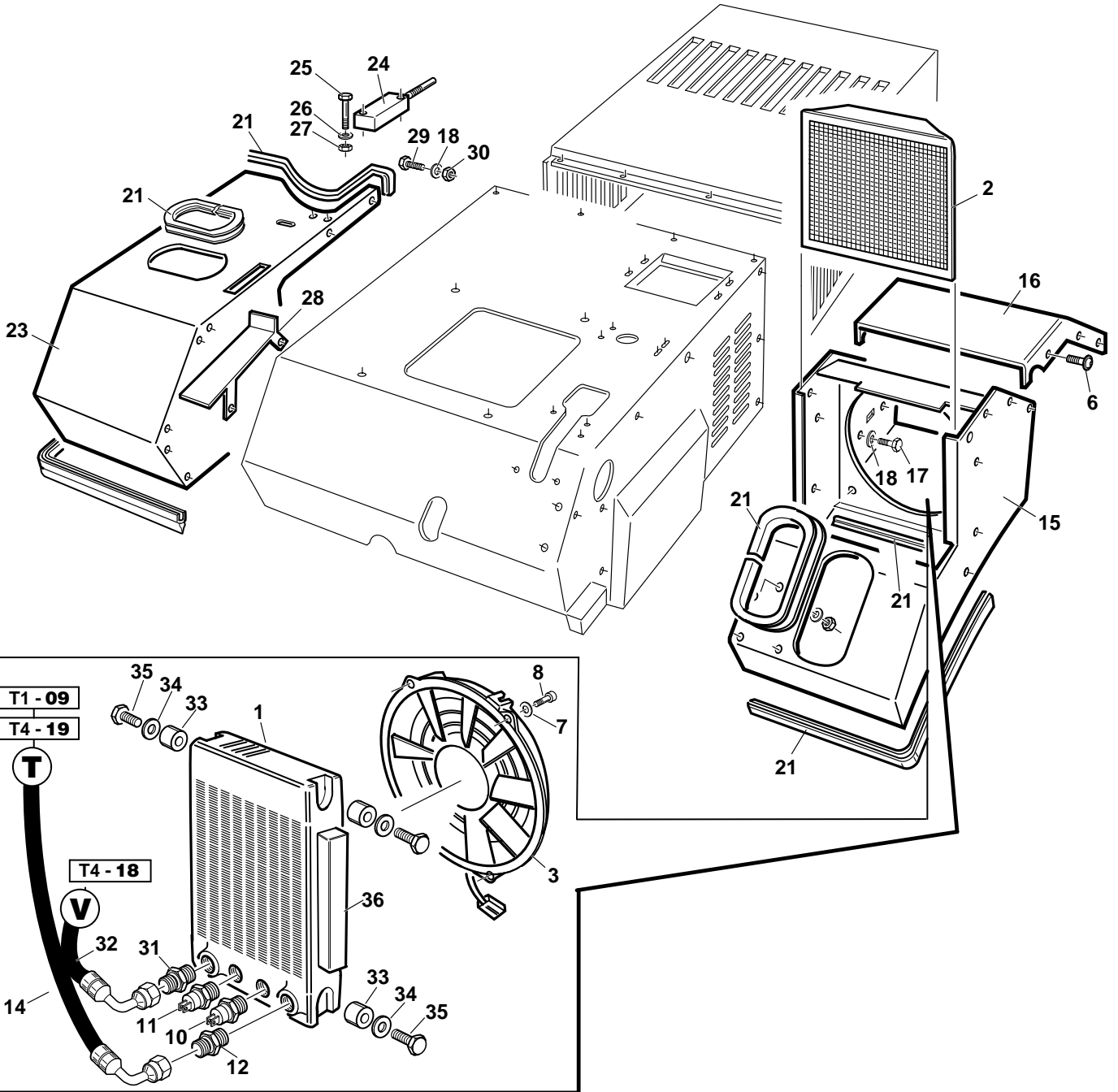
| REF. | LEG. | CODE | Q.TY |
|------|------|---------------|------|
| 35 | | 00.95.04.0020 | 4 |
| 36 | | 00.90.02.0140 | 2 |
| 37 | | 01.50.00.7220 | 2 |
| 38 | | 00.26.02.0060 | 8 |
| 39 | | 00.68.02.0050 | 8 |
| 40 | | 00.73.00.0033 | 1 |
| 41 | | 00.73.00.0034 | 1 |
| 42 | T4 | 01.30.00.0420 | 1 |
| 43 | T4 | 00.66.06.0061 | 4 |
| 44 | | 01.50.00.7980 | 1 |
| 45 | | 00.68.02.0030 | 2 |
| 46 | | 00.90.06.3060 | 10 |
| 47 | T2 | 01.50.00.0770 | 4 |
| 48 | | 00.29.01.0099 | 1 |
| 49 | | 01.40.00.2790 | 1 |
| 50 | | 01.29.00.0020 | 1 |
| 51 | | 00.91.04.0070 | 4 |
| 52 | | 00.90.04.3070 | 2 |



OL.53072

T4 - 15
T1 - T2 - T4

01-09-2002



| REF. | LEG. | CODE | Q.TY |
|------|------|---------------|------|
| 1 | | 00.54.10.0050 | 1 |
| 2 | | 00.54.10.0051 | 1 |
| 3 | | 00.54.10.0052 | 1 |
| 6 | | 00.90.04.3030 | 9 |
| 7 | | 00.68.01.0020 | 4 |
| 8 | | 00.90.04.0050 | 4 |
| 10 | | 00.54.10.0053 | 1 |
| 11 | | 00.54.10.0054 | 1 |
| 12 | | 00.41.00.0784 | 1 |
| 14 | | 00.41.00.1330 | 1 |

| REF. | LEG. | CODE | Q.TY |
|------|------|---------------|------|
| 15 | | 01.50.00.5310 | 1 |
| 16 | | 01.50.00.5850 | 1 |
| 17 | | 00.92.05.1071 | 4 |
| 18 | | 00.68.02.0050 | 10 |
| 21 | | 00.11.01.1000 | 2,30 |
| 23 | | 01.50.00.5300 | 1 |
| 24 | | 00.40.00.0042 | 1 |
| 25 | | 00.90.02.0120 | 2 |
| 26 | | 00.68.01.0009 | 2 |
| 27 | | 00.26.04.0020 | 2 |

| REF. | LEG. | CODE | Q.TY |
|------|------|---------------|------|
| 28 | | 01.50.00.5930 | 1 |
| 29 | | 00.92.05.1040 | 6 |
| 30 | | 00.26.02.0060 | 6 |
| 31 | | 00.41.00.0113 | 1 |
| 32 | | 00.41.00.1430 | 1 |
| 33 | | 00.74.00.3021 | 4 |
| 34 | | 00.68.03.0030 | 4 |
| 35 | | 00.92.03.1020 | 4 |
| 36 | | 00.07.05.0020 | 0,40 |

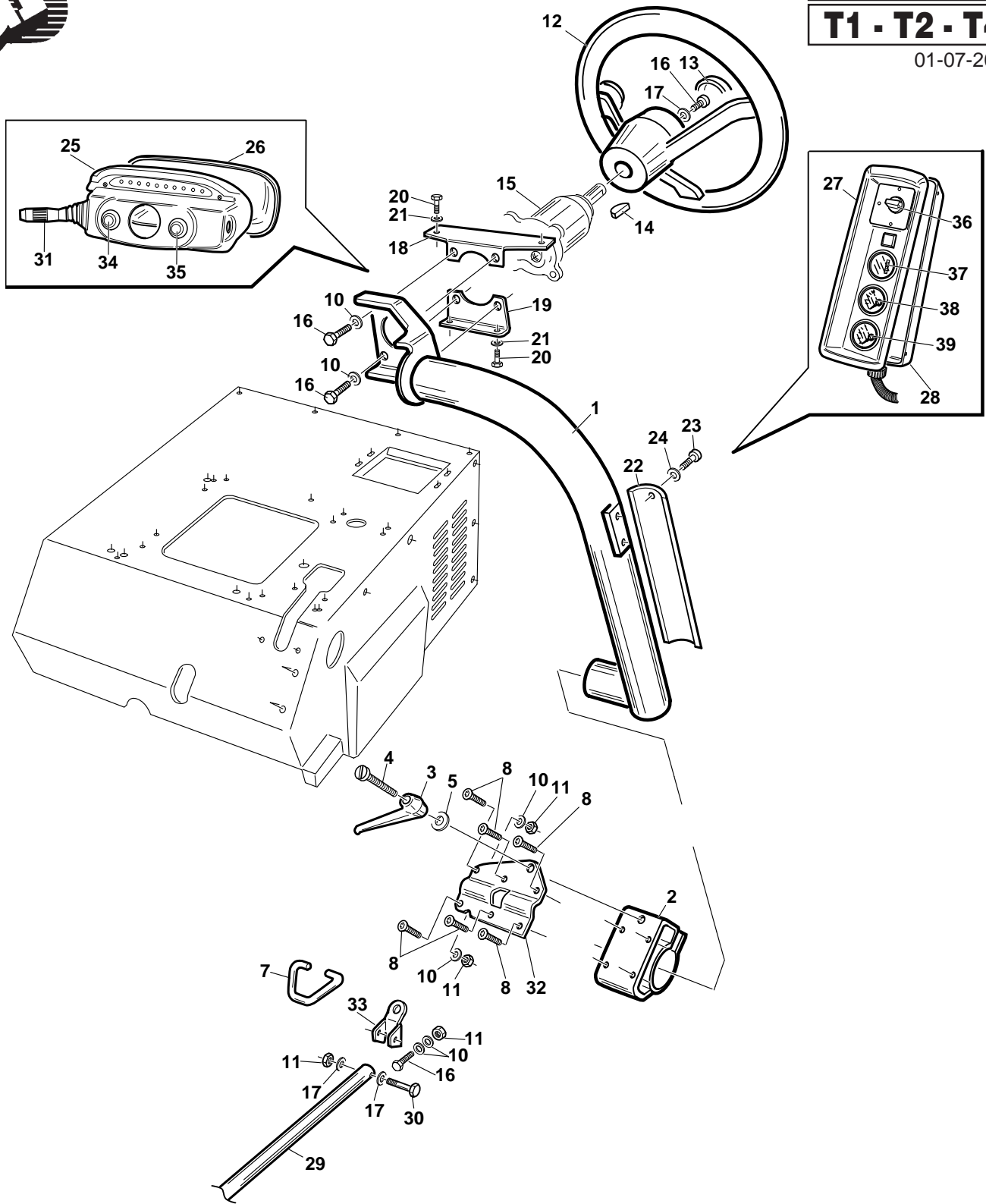


F.60059

T4 - 16

T1 - T2 - T4

01-07-2003



| REF. | LEG. | CODE | Q.TY |
|------|------|---------------|------|
| 1 | | 01.50.00.5560 | 1 |
| 2 | | 01.50.00.5640 | 1 |
| 3 | | 00.44.02.0070 | 1 |
| 4 | | 00.98.00.0010 | 0,11 |
| 5 | | 00.68.02.0070 | 1 |
| 7 | | 01.50.00.5620 | 1 |
| 8 | | 00.95.05.0060 | 6 |
| 10 | | 00.68.01.0030 | 6 |
| 11 | | 00.26.04.0060 | 3 |
| 12 | | 00.25.03.0020 | 1 |
| 13 | | 00.25.03.0021 | 1 |
| 14 | | 00.43.05.0090 | 1 |

| REF. | LEG. | CODE | Q.TY |
|------|------|---------------|------|
| 15 | | 00.41.00.0720 | 1 |
| 16 | | 00.92.05.1070 | 5 |
| 17 | | 00.68.02.0050 | 3 |
| 18 | | 01.50.00.5770 | 1 |
| 19 | | 01.50.00.5780 | 1 |
| 20 | | 00.91.05.1070 | 4 |
| 21 | | 00.68.01.0010 | 4 |
| 22 | | 01.50.00.5840 | 1 |
| 23 | | 00.91.04.0070 | 3 |
| 24 | | 00.68.01.0009 | 3 |
| 25 | | 01.30.00.0350 | 1 |
| 26 | | 01.30.00.0360 | 1 |

| REF. | LEG. | CODE | Q.TY |
|------|------|---------------|------|
| 27 | | 01.30.00.0370 | 1 |
| 28 | | 01.30.00.0380 | 1 |
| 29 | | 01.90.00.1190 | 1 |
| 30 | | 00.92.05.1120 | 1 |
| 31 | | 00.40.00.0880 | 1 |
| 32 | | 01.50.00.5611 | 1 |
| 33 | | 01.50.00.5612 | 1 |
| 34 | | 00.40.00.0881 | 1 |
| 35 | | 00.40.00.0882 | 1 |
| 36 | | 00.40.00.0910 | 1 |
| 37 | | 00.40.00.0883 | 1 |
| 38 | | 00.40.00.0884 | 1 |
| 39 | | 00.40.00.0885 | 1 |

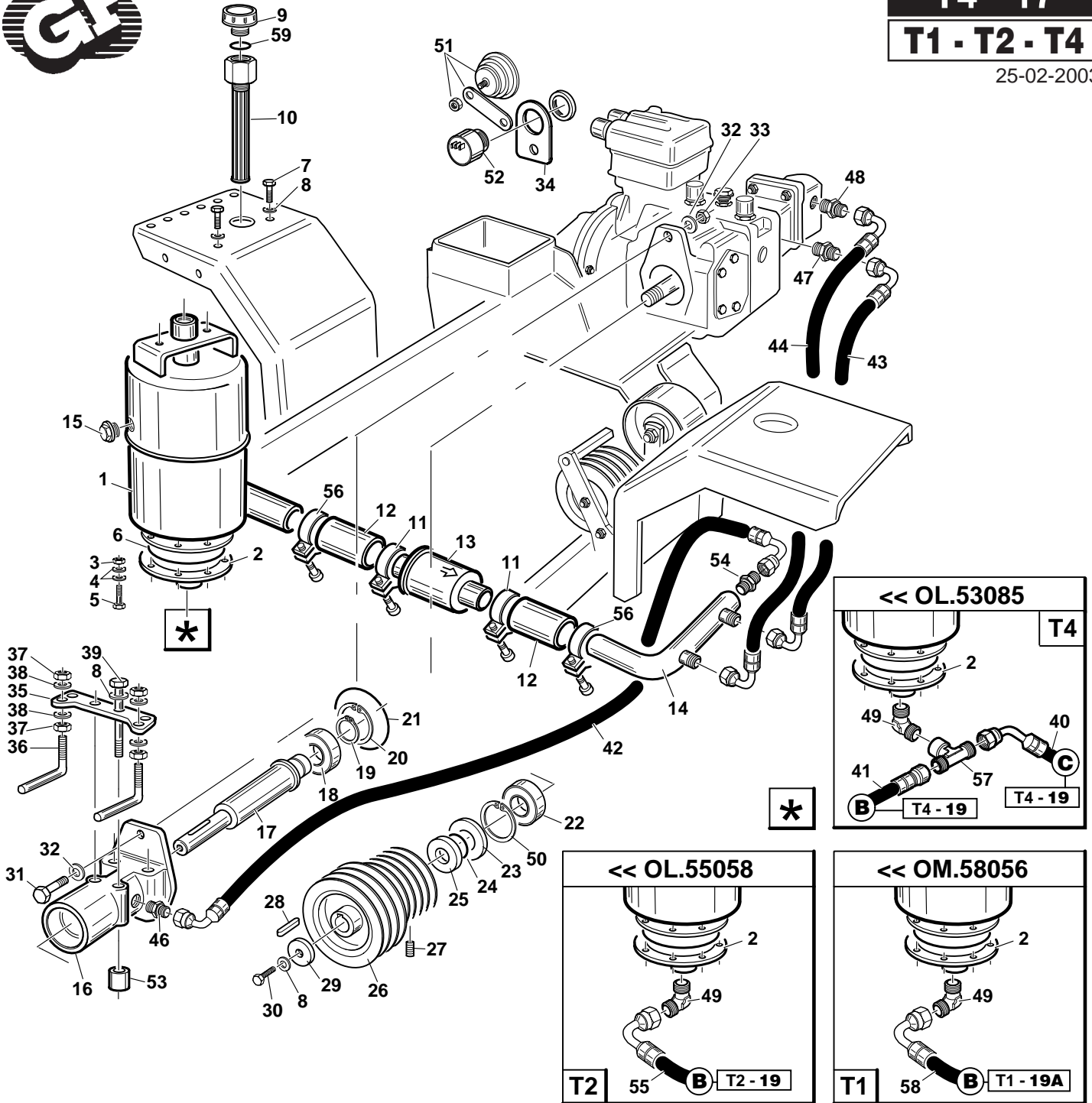


OM.58056

T4 - 17

T1 - T2 - T4

25-02-2003



| REF. | LEG. | CODE | Q.TY |
|------|------|---------------|------|
| 1 | | 00.75.00.0071 | 1 |
| 2 | | 00.75.00.0072 | 1 |
| 3 | | 00.26.04.0040 | 8 |
| 4 | | 00.68.01.0020 | 16 |
| 5 | | 00.92.03.1070 | 8 |
| 6 | | 00.06.10.1012 | 1 |
| 7 | | 00.92.06.1040 | 2 |
| 8 | | 00.68.01.0040 | 7 |
| 9 | | 00.85.03.0014 | 1 |
| 10 | | 00.32.03.0070 | 1 |
| 11 | | 00.29.02.0050 | 2 |
| 12 | | 00.89.04.0038 | 0.2 |
| 13 | | 00.32.03.0080 | 1 |
| 14 | | 01.50.00.5430 | 1 |
| 15 | | 00.85.03.0004 | 1 |
| 16 | | 01.01.00.0180 | 1 |
| 17 | | 01.40.00.1840 | 1 |
| 18 | | 00.22.00.0280 | 1 |
| 19 | | 00.03.00.0260 | 1 |
| 20 | | 00.03.01.0055 | 1 |

| REF. | LEG. | CODE | Q.TY |
|------|------|---------------|------|
| 21 | | 00.06.07.1013 | 1 |
| 22 | | 00.22.25.6202 | 1 |
| 23 | | 00.05.40.2062 | 1 |
| 24 | | 00.06.07.0218 | 1 |
| 25 | | 01.40.00.2250 | 1 |
| 26 | | 00.61.00.0510 | 1 |
| 27 | | 00.96.05.0030 | 2 |
| 28 | | 00.43.00.0110 | 1 |
| 29 | | 00.68.08.0303 | 1 |
| 30 | | 00.92.06.1060 | 1 |
| 31 | | 00.92.07.0130 | 2 |
| 32 | | 00.68.01.0050 | 4 |
| 33 | | 00.26.04.0080 | 2 |
| 34 | | 01.50.00.5520 | 1 |
| 35 | | 01.50.00.2030 | 1 |
| 36 | | 01.50.00.2040 | 2 |
| 37 | | 00.26.02.0060 | 4 |
| 38 | | 00.68.01.0030 | 4 |
| 39 | | 00.92.06.0245 | 4 |
| 40 | T4 | 00.41.00.1051 | 1 |

| REF. | LEG. | CODE | Q.TY |
|------|------|---------------|------|
| 41 | T4 | 00.41.00.1043 | 1 |
| 42 | | 00.41.00.1170 | 1 |
| 43 | | 00.41.00.1150 | 1 |
| 44 | | 00.41.00.1140 | 1 |
| 46 | | 00.41.00.0100 | 1 |
| 47 | | 00.41.00.0826 | 1 |
| 48 | | 00.41.00.0821 | 1 |
| 49 | | 00.41.00.0758 | 1 |
| 50 | | 00.03.01.0062 | 1 |
| 51 | | 00.40.00.0240 | 1 |
| 52 | | 00.40.00.0221 | 1 |
| 53 | | 01.40.00.2680 | 4 |
| 54 | | 00.41.00.0052 | 1 |
| 55 | T2 | 00.41.00.1042 | 1 |
| 56 | | 00.29.02.1051 | 2 |
| 57 | T4 | 00.41.00.0733 | 1 |
| 58 | T1 | 00.41.00.1044 | 1 |
| 59 | | 00.06.07.0314 | 1 |

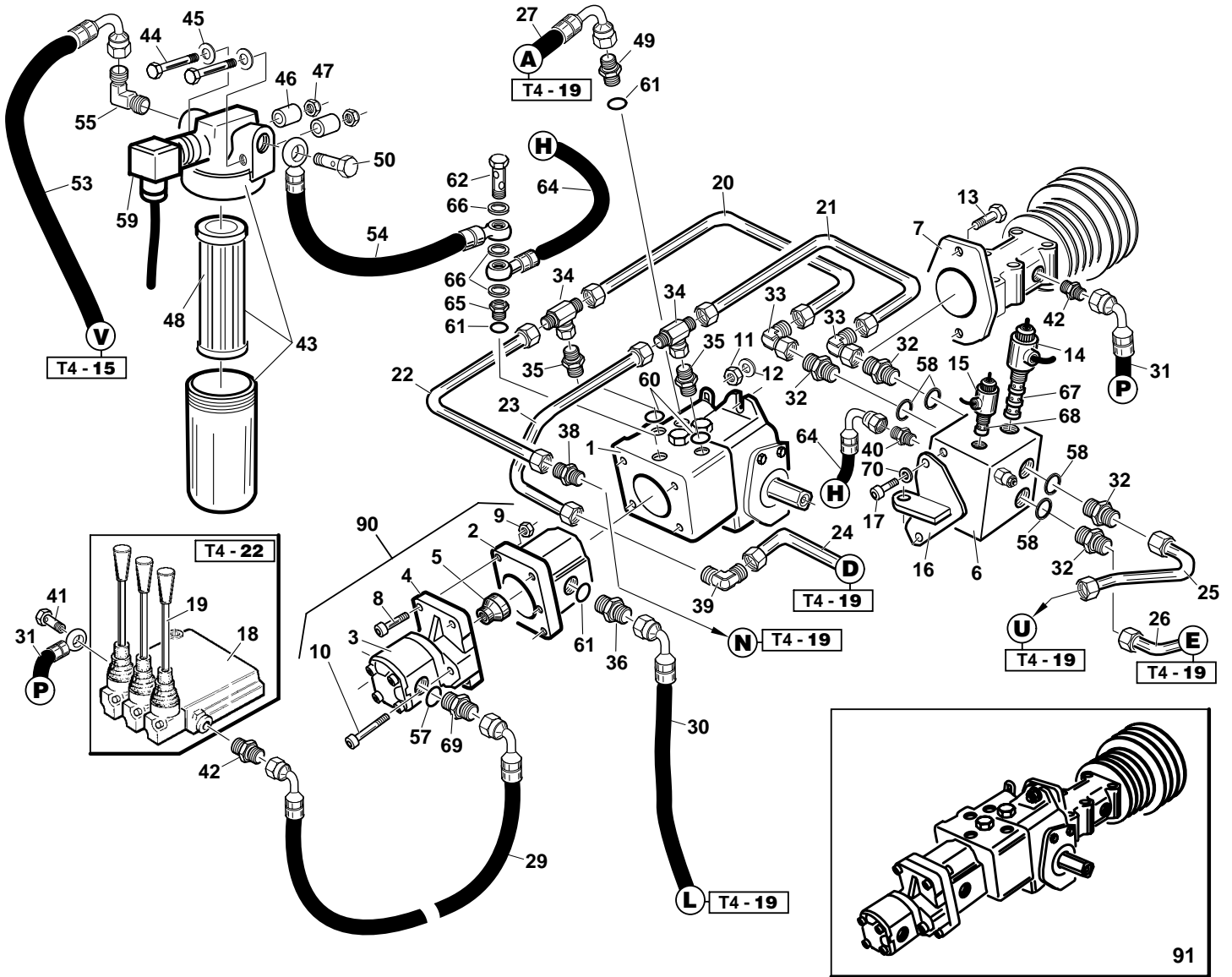


F.58055

T4 - 18

T4

04-04-2003



| REF. | LEG. | CODE | Q.TY |
|------|------|---------------|------|
| 1 | | 00.41.00.0700 | 1 |
| 2 | | 00.41.00.0711 | 1 |
| 3 | | 00.41.00.0712 | 1 |
| 4 | | 00.41.00.0713 | 1 |
| 5 | | 00.41.00.0714 | 1 |
| 6 | | 00.41.00.0990 | 1 |
| 7 | | 01.90.00.1000 | 1 |
| 8 | | 00.90.06.0140 | 4 |
| 9 | | 00.26.02.0080 | 4 |
| 10 | | 00.90.07.0100 | 2 |
| 11 | | 00.26.04.0080 | 2 |
| 12 | | 00.68.01.0050 | 4 |
| 13 | | 00.92.07.0130 | 2 |
| 14 | | 00.40.00.0820 | 1 |
| 15 | | 00.40.00.0830 | 1 |
| 16 | | 01.50.00.5350 | 1 |
| 17 | | 00.92.05.1070 | 2 |
| 18 | | 00.41.00.0340 | 1 |
| 19 | | 00.41.00.0330 | 3 |
| 20 | | 00.41.00.1110 | 1 |
| 21 | | 00.41.00.1380 | 1 |
| 22 | | 00.41.00.1100 | 1 |

| REF. | LEG. | CODE | Q.TY |
|------|------|---------------|------|
| 23 | | 00.41.00.1090 | 1 |
| 24 | | 00.41.00.1370 | 1 |
| 25 | | 00.41.00.1070 | 1 |
| 26 | | 00.41.00.1080 | 1 |
| 27 | | 00.41.00.1030 | 1 |
| 29 | | 00.41.00.0040 | 1 |
| 30 | | 00.41.00.1330 | 1 |
| 31 | | 00.41.00.1190 | 1 |
| 32 | | 00.41.00.0823 | 4 |
| 33 | | 00.41.00.0945 | 2 |
| 34 | | 00.41.00.1245 | 2 |
| 35 | | 00.41.00.1275 | 2 |
| 36 | | 00.41.00.0816 | 1 |
| 38 | | 00.41.00.0895 | 1 |
| 39 | | 00.41.00.0955 | 1 |
| 40 | | 00.41.00.0450 | 1 |
| 41 | | 00.41.00.0250 | 1 |
| 42 | | 00.41.00.0100 | 2 |
| 43 | | 00.32.03.0020 | 1 |
| 44 | | 00.92.03.0210 | 2 |
| 45 | | 00.68.01.0020 | 2 |
| 46 | | 01.40.00.1990 | 2 |

| REF. | LEG. | CODE | Q.TY |
|------|------|---------------|------|
| 47 | | 00.26.02.0040 | 2 |
| 48 | | 00.32.03.0010 | 1 |
| 49 | | 00.41.00.0819 | 1 |
| 50 | | 00.41.00.0125 | 1 |
| 53 | | 00.41.00.1430 | 1 |
| 54 | | 00.41.00.1440 | 1 |
| 55 | | 00.41.00.0757 | 1 |
| 57 | | 00.06.05.0010 | 1 |
| 58 | | 00.41.00.1293 | 4 |
| 59 | | 00.32.03.0021 | 1 |
| 60 | | 00.06.07.0202 | 2 |
| 61 | | 00.06.07.0238 | 3 |
| 62 | | 00.41.00.0253 | 1 |
| 64 | | 00.41.00.1161 | 1 |
| 65 | | 01.40.00.2400 | 1 |
| 66 | | 00.41.00.0070 | 3 |
| 67 | | 00.41.00.0991 | 1 |
| 68 | | 00.41.00.0992 | 1 |
| 69 | | 00.41.00.0812 | 1 |
| 70 | | 00.68.01.0030 | 2 |
| 90 | | 00.41.00.0710 | 1 |
| 91 | | 01.90.00.1005 | 1 |

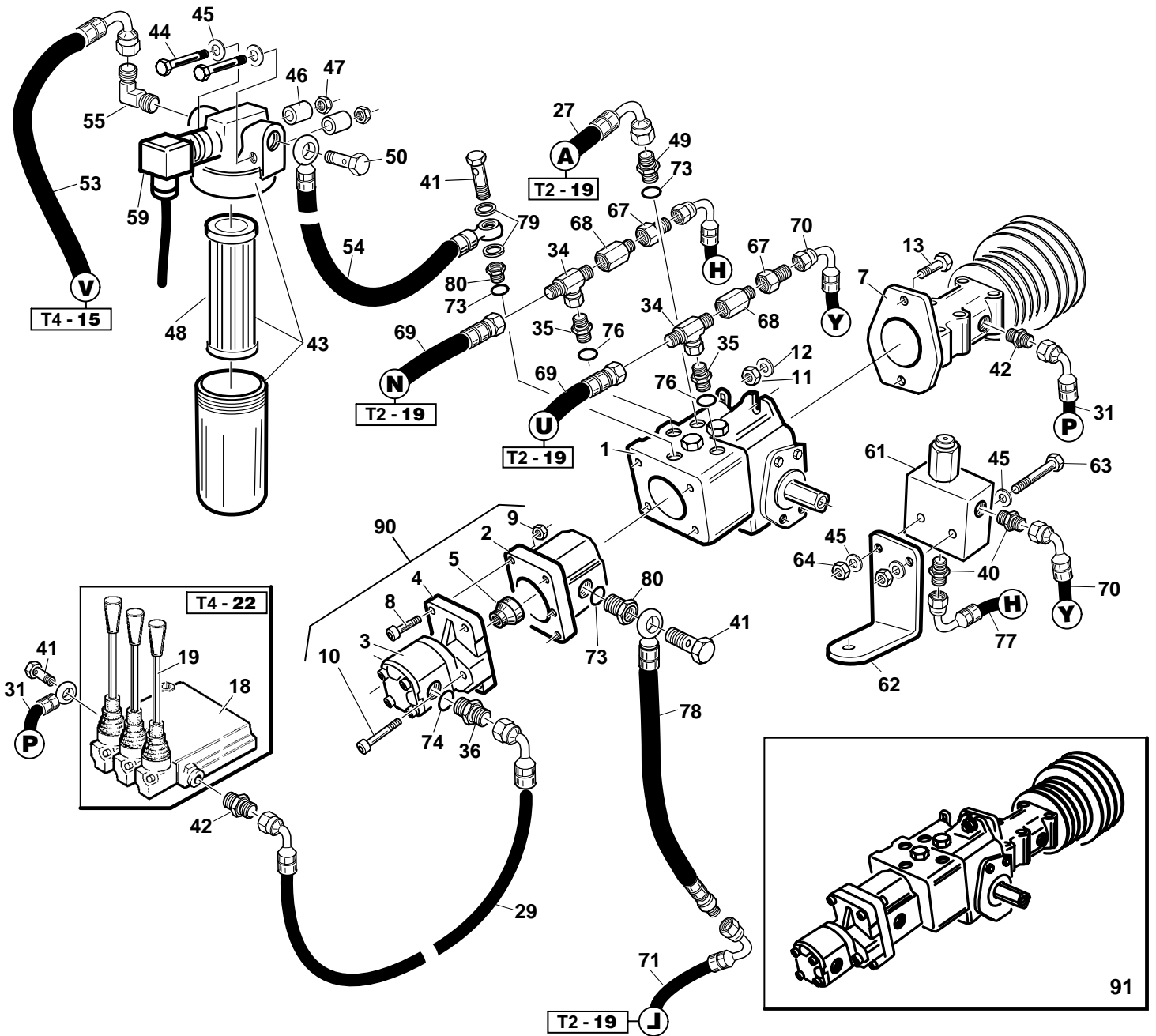


C.61055

T2 - 18

T2

04-04-2003



| REF. | LEG. | CODE | Q.TY |
|------|------|---------------|------|
| 1 | | 00.41.00.0700 | 1 |
| 2 | | 00.41.00.0711 | 1 |
| 3 | | 00.41.00.0712 | 1 |
| 4 | | 00.41.00.0713 | 1 |
| 5 | | 00.41.00.0714 | 1 |
| 7 | | 01.90.00.1000 | 1 |
| 8 | | 00.90.06.0140 | 4 |
| 9 | | 00.26.02.0080 | 4 |
| 10 | | 00.90.07.0100 | 2 |
| 11 | | 00.26.04.0080 | 2 |
| 12 | | 00.68.01.0050 | 4 |
| 13 | | 00.92.07.0130 | 2 |
| 18 | | 00.41.00.0340 | 1 |
| 19 | | 00.41.00.0330 | 3 |
| 27 | | 00.41.00.1030 | 1 |
| 29 | | 00.41.00.0040 | 1 |
| 31 | | 00.41.00.1190 | 1 |
| 34 | | 00.41.00.1245 | 2 |

| REF. | LEG. | CODE | Q.TY |
|------|------|---------------|------|
| 35 | | 00.41.00.1275 | 2 |
| 36 | | 00.41.00.0812 | 1 |
| 40 | | 00.41.00.0450 | 2 |
| 41 | | 00.41.00.0250 | 3 |
| 42 | | 00.41.00.0100 | 2 |
| 43 | | 00.32.03.0020 | 1 |
| 44 | | 00.92.03.0210 | 2 |
| 45 | | 00.68.01.0020 | 24 |
| 46 | | 01.40.00.1990 | 2 |
| 47 | | 00.26.02.0040 | 2 |
| 48 | | 00.32.03.0010 | 1 |
| 49 | | 00.41.00.0819 | 1 |
| 50 | | 00.41.00.0125 | 1 |
| 53 | | 00.41.00.1430 | 1 |
| 54 | | 00.41.00.1440 | 1 |
| 55 | | 00.41.00.0757 | 1 |
| 59 | | 00.32.03.0021 | 1 |

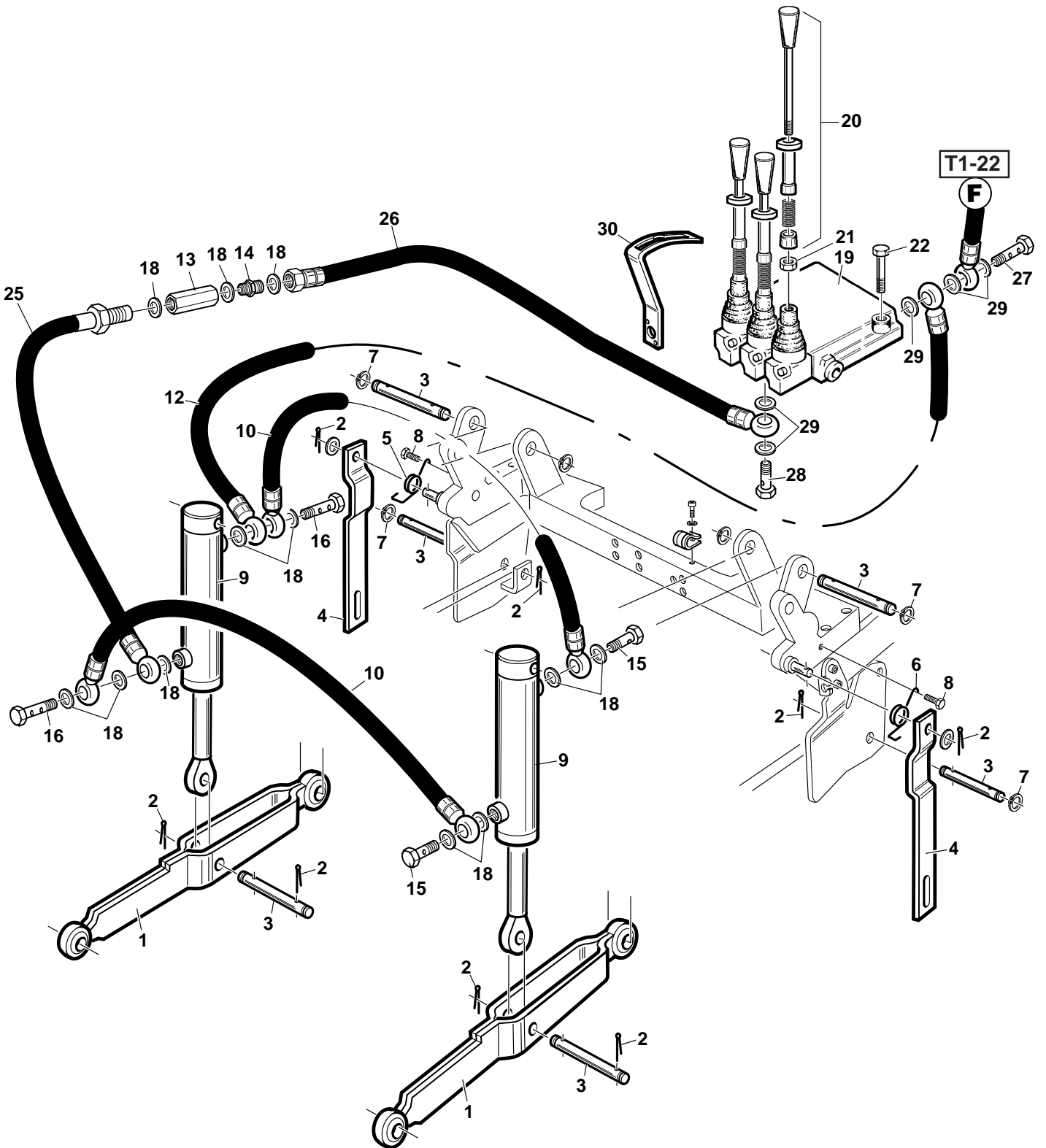
| REF. | LEG. | CODE | Q.TY |
|------|------|---------------|------|
| 61 | | 00.41.00.1500 | 1 |
| 62 | | 01.50.00.6540 | 1 |
| 63 | | 00.92.03.0150 | 2 |
| 64 | | 00.26.04.0040 | 2 |
| 67 | | 00.41.00.0853 | 2 |
| 68 | | 00.41.00.1545 | 2 |
| 69 | | 00.41.00.1420 | 2 |
| 70 | | 00.41.00.1520 | 1 |
| 71 | | 00.41.00.1330 | 1 |
| 73 | | 00.06.07.0238 | 3 |
| 74 | | 00.06.05.0010 | 1 |
| 76 | | 00.06.07.0202 | 2 |
| 77 | | 00.41.00.1521 | 1 |
| 78 | | 00.41.00.1331 | 1 |
| 79 | | 00.41.00.0070 | 2 |
| 80 | | 01.40.00.2400 | 2 |
| 90 | | 00.41.00.0710 | 1 |
| 91 | | 01.90.00.1005 | 1 |



L.51057

T1 - 20
T1 - T2 - T4

01-10-2002



| REF. | LEG. | CODE | Q.TY |
|------|------|---------------|------|
| 1 | | 01.50.00.7420 | 2 |
| 2 | | 00.18.04.0075 | 8 |
| 3 | | 01.40.00.2690 | 6 |
| 4 | | 01.50.00.7570 | 2 |
| 5 | | 00.47.00.0290 | 1 |
| 6 | | 00.47.00.0280 | 1 |
| 7 | | 00.03.10.0016 | 2 |
| 8 | | 00.92.05.1040 | 2 |
| 9 | | 00.58.00.0100 | 2 |
| 10 | | 00.41.00.1670 | 2 |

| REF. | LEG. | CODE | Q.TY |
|------|------|---------------|------|
| 12 | | 00.41.00.1680 | 1 |
| 13 | | 00.41.00.0291 | 1 |
| 14 | | 00.41.00.0450 | 1 |
| 15 | | 00.41.00.0120 | 2 |
| 16 | | 00.41.00.0124 | 2 |
| 18 | | 00.41.00.0060 | 13 |
| 19 | | 00.41.00.0340 | 1 |
| 20 | | 00.41.00.0601 | 3 |

| REF. | LEG. | CODE | Q.TY |
|------|------|---------------|------|
| 21 | | 00.26.02.0060 | 3 |
| 22 | | 00.90.06.3060 | 3 |
| 25 | | 00.41.00.1691 | 1 |
| 26 | | 00.41.00.1692 | 1 |
| 27 | | 00.41.00.0253 | 1 |
| 28 | | 00.41.00.0250 | 1 |
| 29 | | 00.41.00.0070 | 5 |
| 30 | | 00.41.00.0610 | 3 |

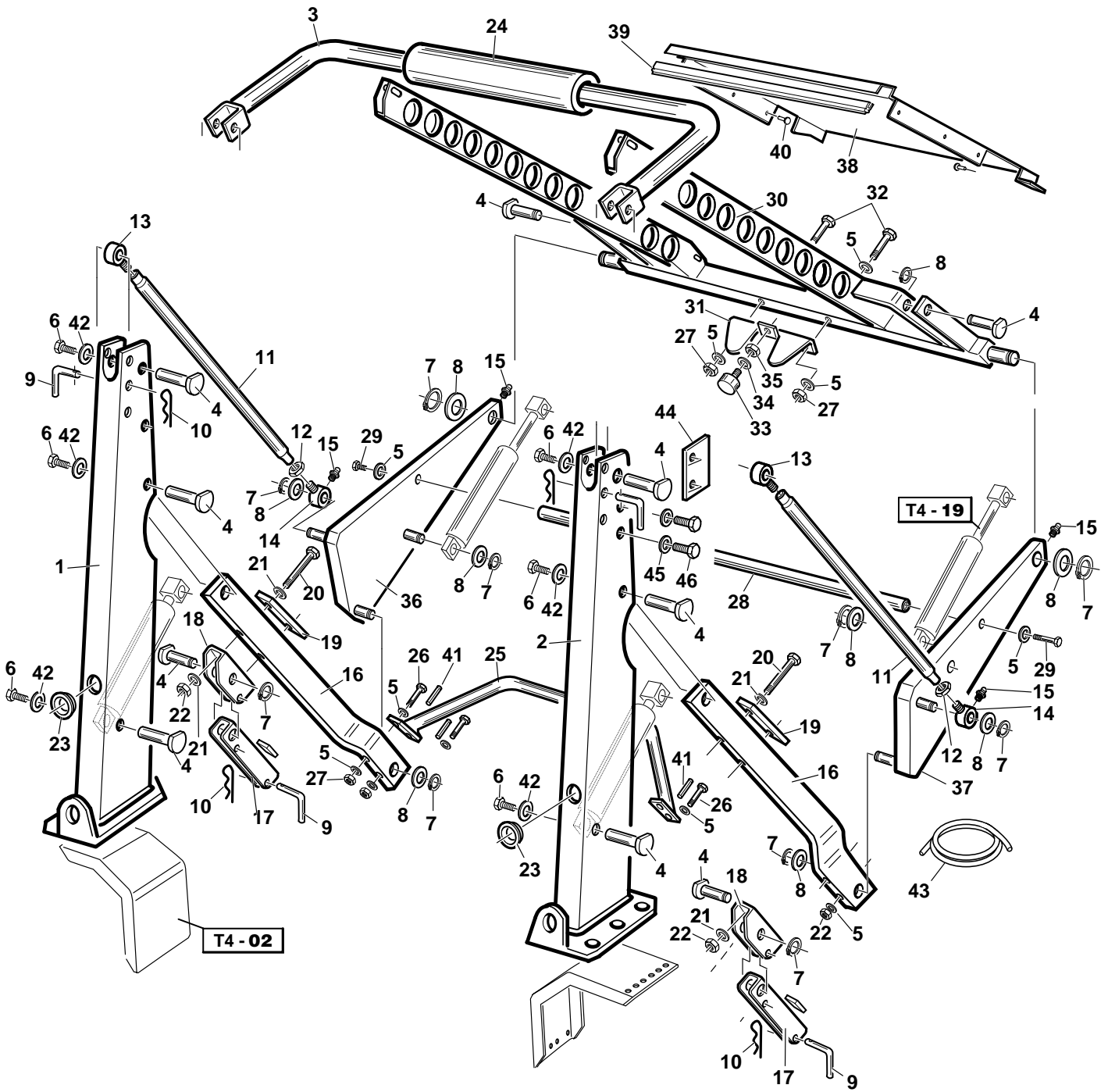


A.60061

T4 - 21

T4 - T2

17-07-2003



| REF. | LEG. | CODE | Q.TY |
|------|------|---------------|------|
| 1 | | 01.50.00.5031 | 1 |
| 2 | | 01.50.00.5032 | 1 |
| 3 | | 01.50.00.2390 | 1 |
| 4 | | 01.50.00.2310 | 10 |
| 5 | | 00.68.02.0050 | 16 |
| 6 | | 00.92.05.1070 | 6 |
| 7 | | 00.03.10.0020 | 10 |
| 8 | | 00.68.01.0090 | 10 |
| 9 | | 01.50.00.2441 | 4 |
| 10 | | 00.18.00.1010 | 4 |
| 11 | | 01.50.00.5690 | 2 |
| 12 | | 00.26.03.1110 | 2 |
| 13 | | 01.90.00.0530 | 2 |
| 14 | | 01.90.00.0531 | 2 |
| 15 | | 00.42.00.0010 | 8 |

| REF. | LEG. | CODE | Q.TY |
|------|------|---------------|------|
| 16 | | 01.50.00.5050 | 2 |
| 17 | | 01.50.00.2440 | 2 |
| 18 | | 01.50.00.5070 | 2 |
| 19 | | 01.50.00.5080 | 4 |
| 20 | | 00.92.06.0190 | 4 |
| 21 | | 00.68.01.0040 | 8 |
| 22 | | 00.26.04.0070 | 4 |
| 23 | | 00.07.01.0032 | 2 |
| 24 | | 00.07.05.0030 | 1 |
| 25 | | 01.50.00.5090 | 1 |
| 26 | | 00.92.05.0220 | 4 |
| 27 | | 00.26.04.0060 | 7 |
| 28 | | 01.50.00.5750 | 1 |
| 29 | | 00.92.05.0140 | 2 |
| 30 | | 01.50.00.5040 | 1 |

| REF. | LEG. | CODE | Q.TY |
|------|------|---------------|------|
| 31 | | 01.50.00.3430 | 1 |
| 32 | | 00.92.05.0160 | 3 |
| 33 | | 00.74.01.0090 | 1 |
| 34 | | 00.68.02.0070 | 1 |
| 35 | | 00.26.02.0080 | 1 |
| 36 | | 01.50.00.5120 | 1 |
| 37 | | 01.50.00.5130 | 1 |
| 38 | | 01.50.00.5240 | 1 |
| 39 | | 00.11.01.2000 | 0.6 |
| 40 | | 00.66.06.0031 | 12 |
| 41 | | 00.83.16.0020 | 4 |
| 42 | | 00.68.08.0170 | 6 |
| 43 | | 00.40.00.0781 | 1 |
| 44 | | 01.50.00.6490 | 1 |
| 45 | | 00.68.01.0030 | 2 |
| 46 | | 00.92.05.1040 | 2 |

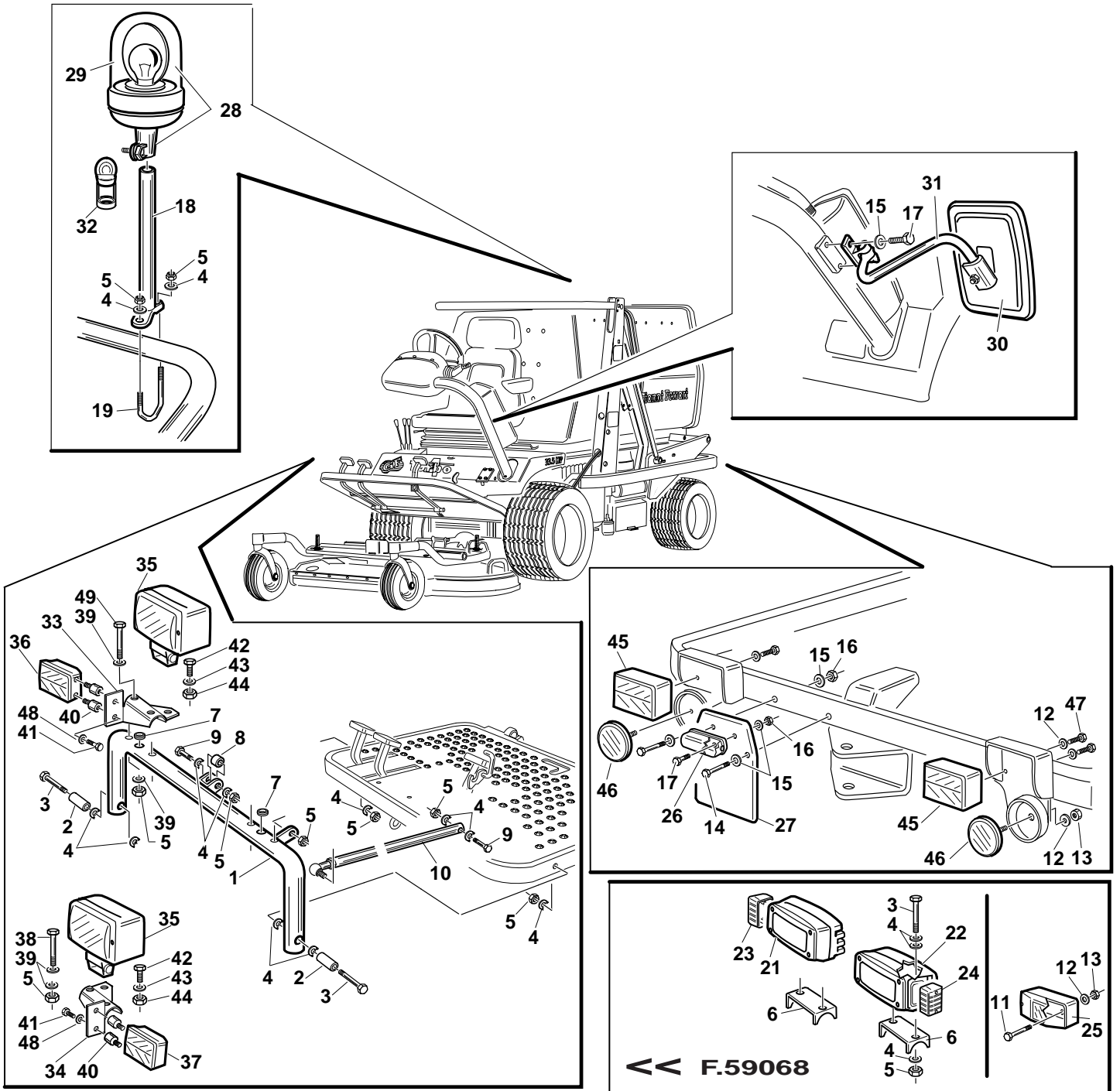


F.59069

T4 - 25

T1 - T2 - T4

15-03-2003



<< F.59068

| REF. | LEG. | CODE | Q.TY |
|------|------|---------------|------|
| 1 | | 01.50.00.5910 | 1 |
| 2 | | 01.50.00.5950 | 1 |
| 3 | | 00.92.05.0200 | 2 |
| 4 | | 00.68.02.0050 | 15 |
| 5 | | 00.26.04.0060 | 12 |
| 7 | | 00.07.01.0031 | 2 |
| 8 | | 00.55.01.0300 | 1 |
| 9 | | 00.92.05.1120 | 2 |
| 10 | | 01.90.00.1190 | 1 |
| 12 | | 00.68.01.0010 | 4 |
| 13 | | 00.26.04.0030 | 2 |
| 14 | | 00.92.03.0170 | 2 |
| 15 | | 00.68.01.0020 | 8 |
| 16 | | 00.26.04.0040 | 4 |

| REF. | LEG. | CODE | Q.TY |
|------|------|---------------|------|
| 17 | | 00.92.03.1070 | 4 |
| 18 | | 01.50.00.5890 | 1 |
| 19 | | 01.50.00.5900 | 1 |
| 25 | | 00.40.00.0580 | 2 |
| 26 | | 00.40.00.0550 | 1 |
| 27 | | 00.40.00.0540 | 1 |
| 28 | | 00.40.00.0490 | 1 |
| 29 | | 00.40.00.0480 | 1 |
| 30 | | 00.99.00.0210 | 1 |
| 31 | | 00.99.00.0211 | 1 |
| 32 | | 00.40.00.0491 | 1 |
| 33 | | 01.50.00.5861 | 1 |
| 34 | | 01.50.00.5862 | 1 |
| 35 | | 00.40.00.0950 | 2 |

| REF. | LEG. | CODE | Q.TY |
|------|------|---------------|------|
| 36 | | 00.40.00.0960 | 1 |
| 37 | | 00.40.00.0970 | 1 |
| 38 | | 00.92.05.0160 | 2 |
| 39 | | 00.68.01.0030 | 8 |
| 40 | | 00.74.03.0050 | 4 |
| 41 | | 00.92.03.1030 | 4 |
| 42 | | 00.92.06.1060 | 2 |
| 43 | | 00.68.01.0040 | 2 |
| 44 | | 00.26.04.0070 | 2 |
| 45 | | 00.40.00.0980 | 2 |
| 46 | | 00.40.00.0990 | 2 |
| 47 | | 00.92.02.1090 | 4 |
| 48 | | 00.68.02.0030 | 4 |
| 49 | | 00.92.05.1070 | 2 |

08.09.2003



P R O F E S S I O N A L M O W E R S

GIANNI FERRARI s.r.l. • Via Vespucci, 53 (Zona Ind. Ranaro) • 42046 REGGIOLO (RE) Italy • Tel. 0522 / 973697 • Fax 0522 / 973707

www.gianniferrari.com Email: info@gianniferrari.com



**Gianni
Ferrari**

TURBO

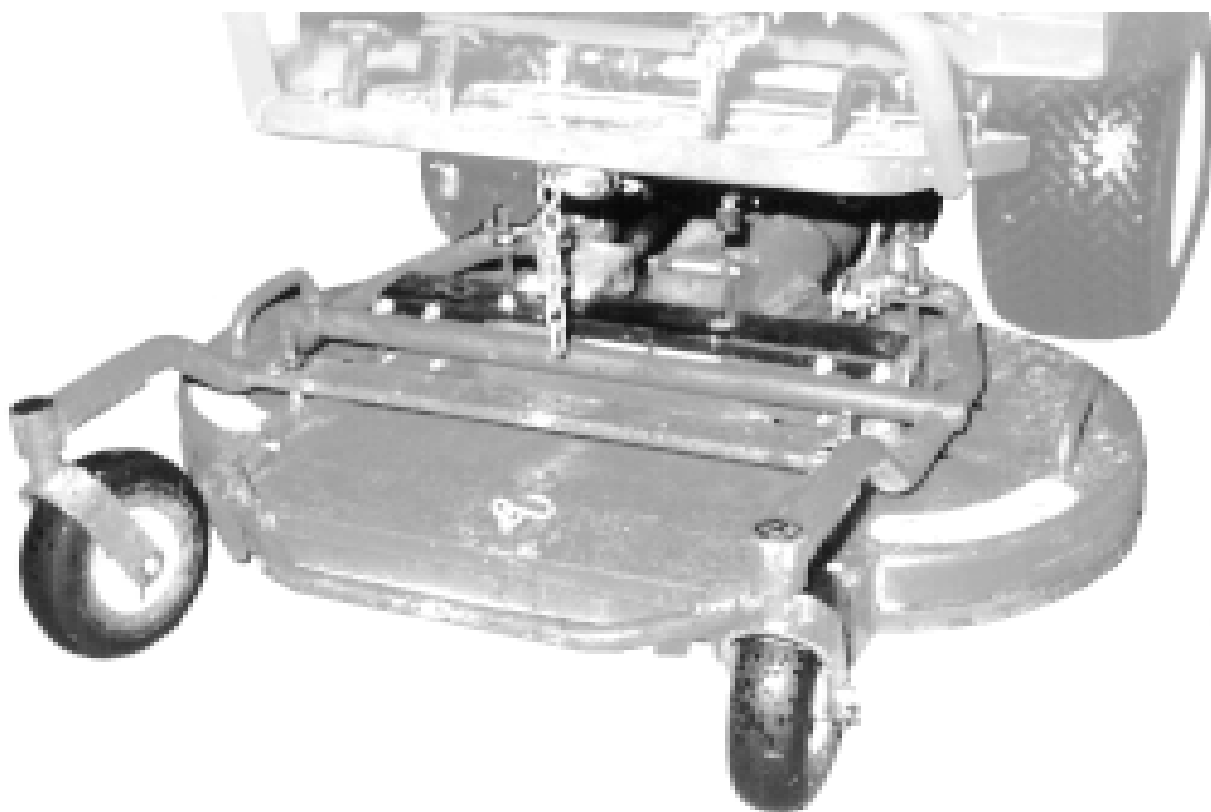
TURBO

TURBO

**A - 25
A - 27**

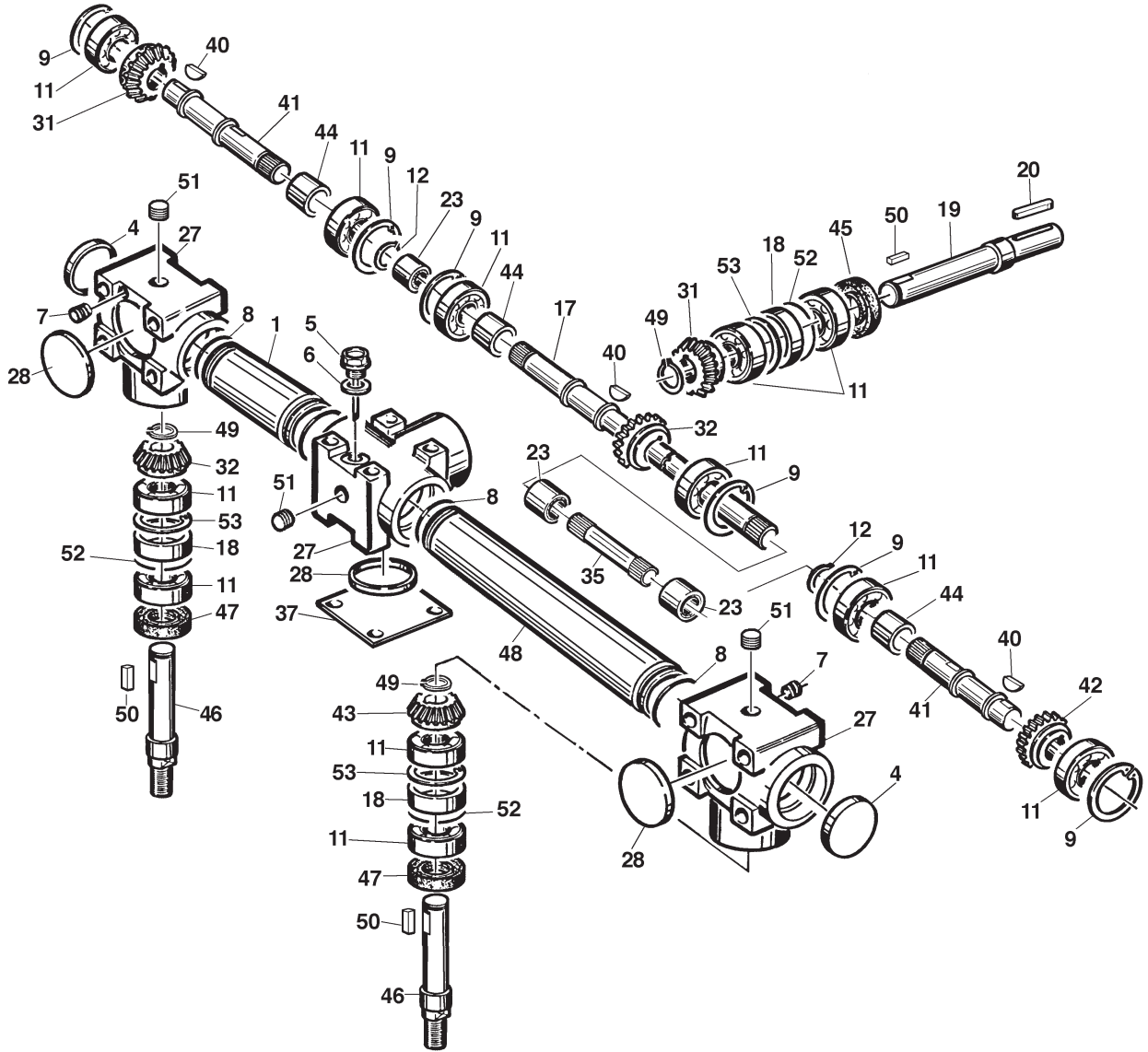
cm. 130 - R.C.

PIATTO CM. 130 R.C.
TONDEUSE CM. 130 R.C.
MÄHWERK CM. 130 R.C.
MOWERDECK CM. 130 R.C.



**CATALOGO PARTI DI RICAMBIO
CATALOGUE PIECES DETACHEES
ERSATZTEILKATALOG
PARTS MANUAL**

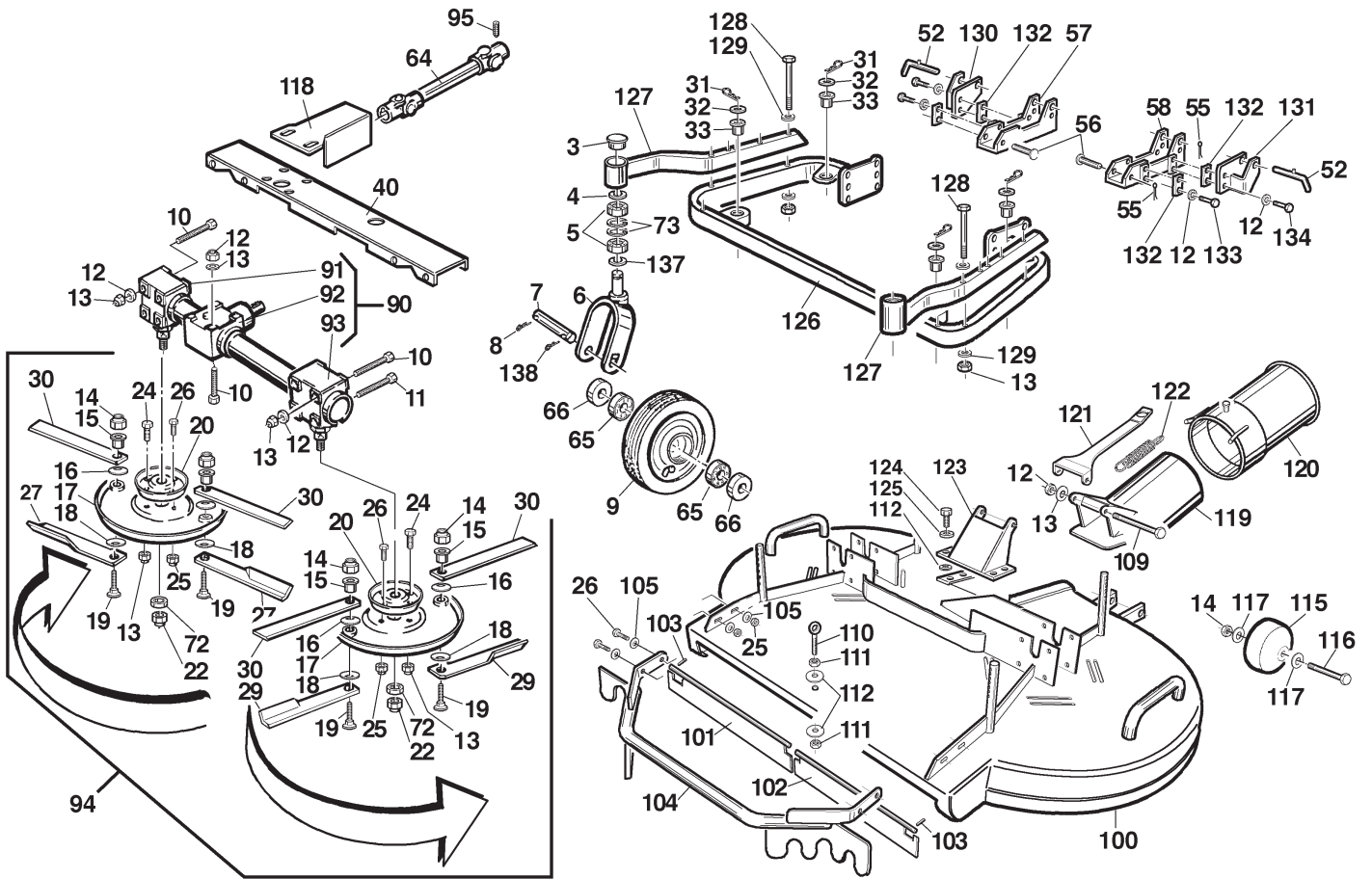
01. 2003



| REF. | LEG. | CODE | Q.TY |
|------|------|---------------|------|
| 1 | | 01.40.00.0422 | 1 |
| 4 | | 00.07.06.0020 | 2 |
| 5 | | 00.85.01.0031 | 1 |
| 6 | | 00.85.01.0032 | 3 |
| 7 | | 00.85.01.0033 | 2 |
| 8 | | 00.06.04.0490 | 4 |
| 9 | | 00.03.01.0052 | 6 |
| 11 | | 00.22.00.0400 | 12 |
| 12 | | 00.03.00.0160 | 2 |
| 17 | | 01.40.00.0392 | 1 |
| 18 | | 01.40.00.0440 | 3 |
| 19 | | 01.40.00.0400 | 1 |

| REF. | LEG. | CODE | Q.TY |
|------|------|---------------|------|
| 20 | | 00.43.00.0110 | 1 |
| 23 | | 01.40.00.0430 | 1 |
| 27 | | 01.01.00.0070 | 3 |
| 28 | | 00.07.06.0062 | 3 |
| 31 | | 01.40.00.0133 | 2 |
| 32 | | 01.40.00.0134 | 2 |
| 35 | | 01.40.00.0990 | 1 |
| 37 | | 01.50.00.3070 | 1 |
| 40 | | 01.40.00.2052 | 3 |
| 41 | | 01.40.00.0385 | 2 |
| 42 | | 01.40.00.0135 | 1 |

| REF. | LEG. | CODE | Q.TY |
|------|------|---------------|------|
| 43 | | 01.40.00.0136 | 1 |
| 44 | | 01.40.00.2180 | 3 |
| 45 | | 00.05.00.0010 | 1 |
| 46 | | 01.40.00.0372 | 2 |
| 47 | | 00.05.38.0052 | 2 |
| 48 | | 01.40.00.0413 | 1 |
| 49 | | 00.03.10.0020 | 3 |
| 50 | | 00.43.06.0018 | 3 |
| 51 | | 00.85.01.0030 | 3 |
| 52 | | 00.03.21.1052 | 3 |
| 53 | | 00.03.11.1052 | 3 |



| REF. | LEG. | CODE | Q.TY |
|------|------|---------------|------|
| 3 | | 00.07.06.0010 | 2 |
| 4 | | 00.03.10.0020 | 2 |
| 5 | | 00.22.00.0210 | 4 |
| 6 | | 01.50.00.1241 | 2 |
| 7 | | 01.50.00.0800 | 2 |
| 8 | | 00.18.04.0065 | 4 |
| 9 | | 00.72.00.0200 | 2 |
| 10 | | 00.92.06.0220 | 4 |
| 11 | | 00.92.06.0230 | 8 |
| 12 | | 00.68.01.0040 | 22 |
| 13 | | 00.26.04.0070 | 23 |
| 14 | | 00.26.04.0080 | 6 |
| 15 | | 01.40.00.1010 | 4 |
| 16 | | 00.48.00.0160 | 4 |
| 17 | | 01.50.00.2741 | 2 |
| 18 | | 00.48.00.0186 | 4 |
| 19 | | 01.40.00.1000 | 4 |
| 20 | | 01.50.00.0692 | 2 |
| 22 | | 00.26.04.1100 | 2 |
| 24 | | 00.92.06.1060 | 2 |
| 25 | | 00.26.04.0060 | 6 |
| 26 | | 00.92.05.1080 | 6 |
| 27 | | 01.33.01.0051 | 2 |
| 29 | | 01.33.01.0061 | 2 |
| 30 | | 01.33.01.0090 | 4 |

| REF. | LEG. | CODE | Q.TY |
|------|------|---------------|------|
| 31 | | 00.18.00.1050 | 4 |
| 32 | | 00.68.08.0419 | 4 |
| 33 | | 01.50.00.1250 | 4 |
| 40 | | 01.50.00.2970 | 1 |
| 52 | | 01.50.00.2441 | 2 |
| 55 | | 00.18.00.1010 | 4 |
| 56 | | 01.50.00.2950 | 2 |
| 57 | | 01.50.00.2930 | 1 |
| 58 | | 01.50.00.2940 | 1 |
| 64 | | 00.39.00.0040 | 1 |
| 65 | | 00.22.00.0230 | 4 |
| 66 | | 01.30.00.0180 | 4 |
| 72 | | 01.40.00.2360 | 2 |
| 73 | | 00.03.01.0042 | 4 |
| 90 | | 01.90.00.0286 | 1 |
| 91 | | 01.90.00.0287 | 1 |
| 92 | | 01.90.00.0282 | 1 |
| 93 | | 01.90.00.0288 | 1 |
| 94 | | 01.90.00.0472 | 1 |
| 95 | | 00.96.05.0050 | 1 |
| 100 | | 01.50.00.5000 | 1 |
| 101 | | 01.50.00.5470 | 1 |
| 102 | | 01.50.00.5480 | 1 |
| 103 | | 00.83.09.1020 | 2 |
| 104 | | 01.50.00.5490 | 1 |

| REF. | LEG. | CODE | Q.TY |
|------|------|---------------|------|
| 105 | | 00.68.01.0030 | 4 |
| 109 | | 00.92.06.0250 | 1 |
| 110 | | 00.99.00.0064 | 1 |
| 111 | | 00.26.02.0060 | 2 |
| 112 | | 00.68.02.0050 | 6 |
| 115 | | 00.72.00.0230 | 2 |
| 116 | | 00.92.07.0230 | 2 |
| 117 | | 00.68.01.0050 | 4 |
| 118 | | 01.50.00.5830 | 1 |
| 119 | | 01.50.00.5060 | 1 |
| 120 | | 01.50.00.5630 | 1 |
| 121 | | 01.50.00.5670 | 1 |
| 122 | | 00.47.00.0061 | 1 |
| 123 | | 01.50.00.5063 | 1 |
| 124 | | 00.92.05.1070 | 4 |
| 125 | | 00.68.08.0170 | 4 |
| 126 | | 01.50.00.7010 | 1 |
| 127 | | 01.50.00.6230 | 2 |
| 128 | | 00.95.06.0180 | 4 |
| 129 | | 00.68.02.0070 | 12 |
| 130 | | 01.50.00.7550 | 1 |
| 131 | | 01.50.00.7560 | 1 |
| 132 | | 01.50.00.7590 | 4 |
| 133 | | 00.92.06.1080 | 4 |
| 134 | | 00.92.06.1100 | 4 |
| 137 | | 00.68.06.0156 | 2 |
| 138 | | 00.18.04.0075 | 2 |

01.01.2003



P R O F E S S I O N A L M O W E R S

GIANNI FERRARI s.r.l. • Via Vespucci, 53 (Zona Ind. Ranaro) • 42046 REGGIOLO (RE) Italy • Tel. 0522 / 973697 • Fax 0522 / 973707

www.gianniferrari.com Email: info@gianniferrari.com



**Gianni
Ferrari**

- A - 32
- A - 33
- A - 34
- A - 35
- A - 36

TURBO

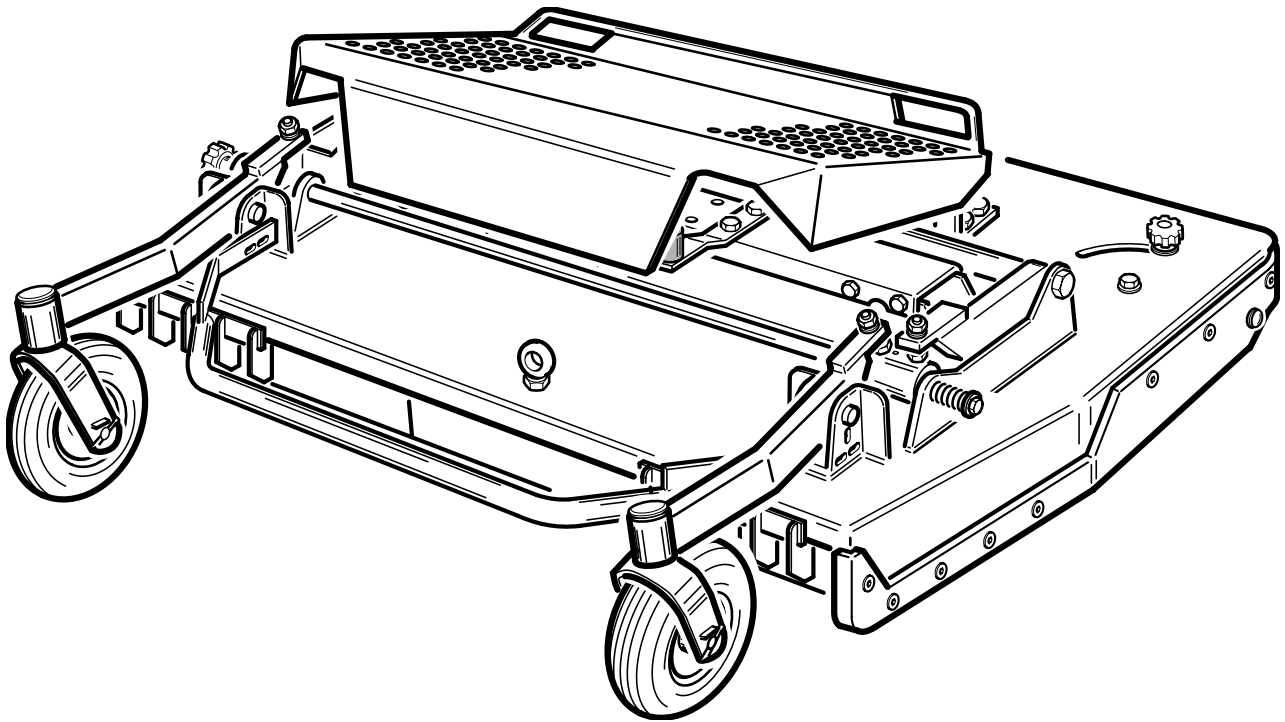
TURBO

TURBO

Turbograss

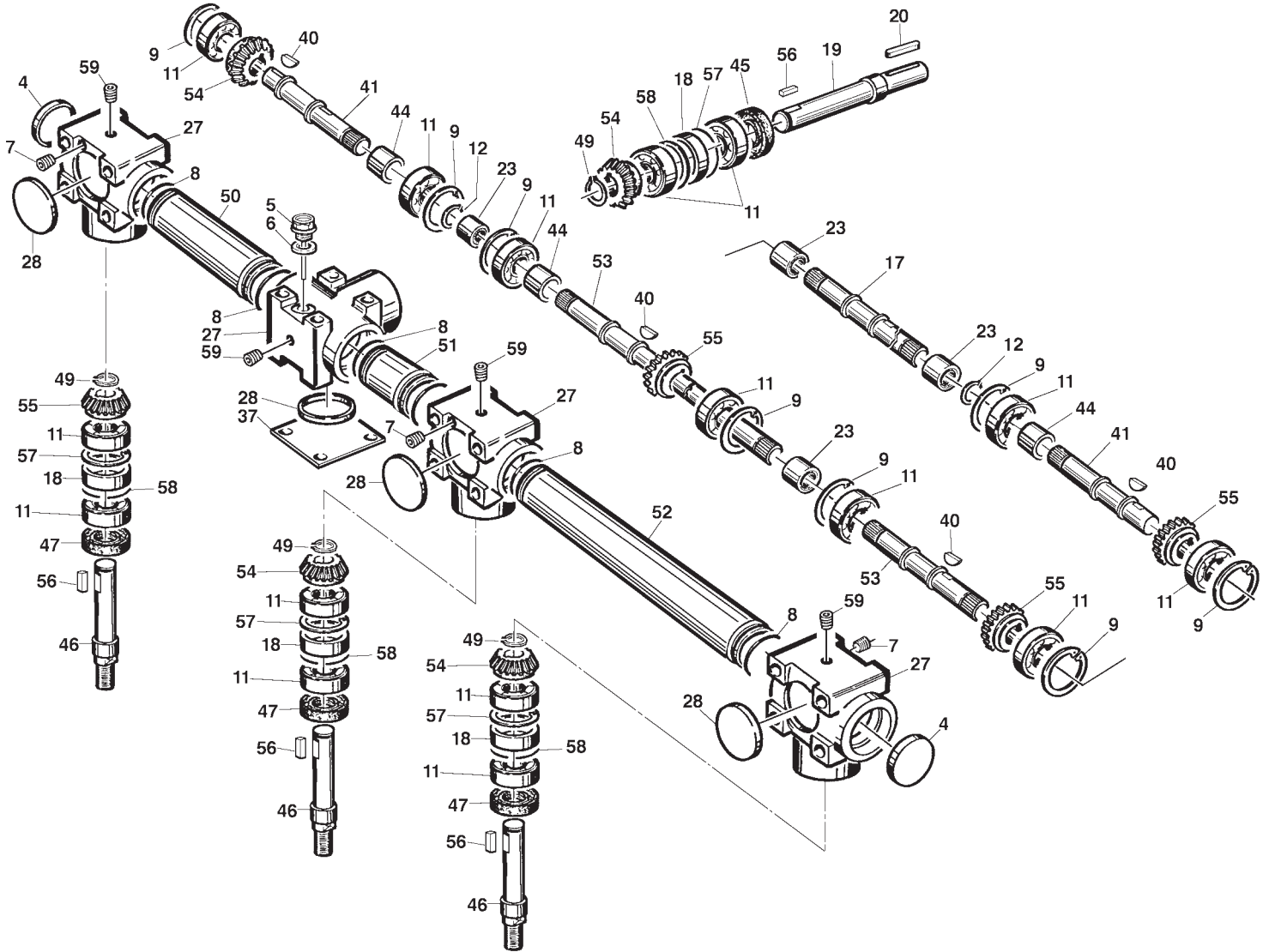
cm. 130 - S.P.

PIATTO CM. 130 SCARICO POSTERIORE
TONDEUSE CM. 130 EJECTION ARRIERE
MÄHWERK CM. 130 MIT HECKAUSWURF
MOWERDECK CM. 130 REAR DISCHARGE



CATALOGO PARTI DI RICAMBIO
CATALOGUE PIECES DETACHEES
ERSATZTEILKATALOG
PARTS MANUAL

09. 2003



| REF. | LEG. | CODE | Q.TY |
|------|------|---------------|------|
| 4 | | 00.07.06.0020 | 2 |
| 5 | | 00.85.01.0031 | 1 |
| 6 | | 00.85.01.0032 | 4 |
| 7 | | 00.85.01.0033 | 3 |
| 8 | | 00.06.04.0490 | 6 |
| 9 | | 00.03.01.0052 | 8 |
| 11 | | 00.22.00.0400 | 16 |
| 12 | | 00.03.00.0160 | 4 |
| 17 | | 01.40.00.3100 | 1 |
| 18 | | 01.40.00.0440 | 4 |
| 19 | | 01.40.00.0400 | 1 |

| REF. | LEG. | CODE | Q.TY |
|------|------|---------------|------|
| 20 | | 00.43.00.0110 | 1 |
| 23 | | 01.40.00.0430 | 4 |
| 27 | | 01.01.00.0070 | 4 |
| 28 | | 00.07.06.0062 | 4 |
| 37 | | 01.50.00.3070 | 1 |
| 40 | | 01.40.00.2052 | 8 |
| 41 | | 01.40.00.0385 | 2 |
| 44 | | 01.40.00.2180 | 3 |
| 45 | | 00.05.25.2052 | 1 |
| 46 | | 01.40.00.0372 | 3 |
| 47 | | 00.05.38.0052 | 3 |

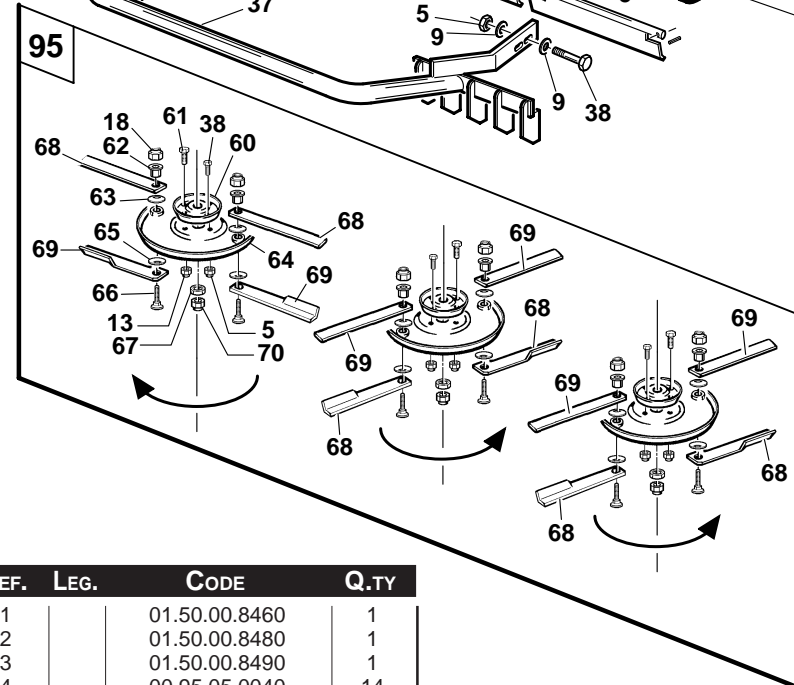
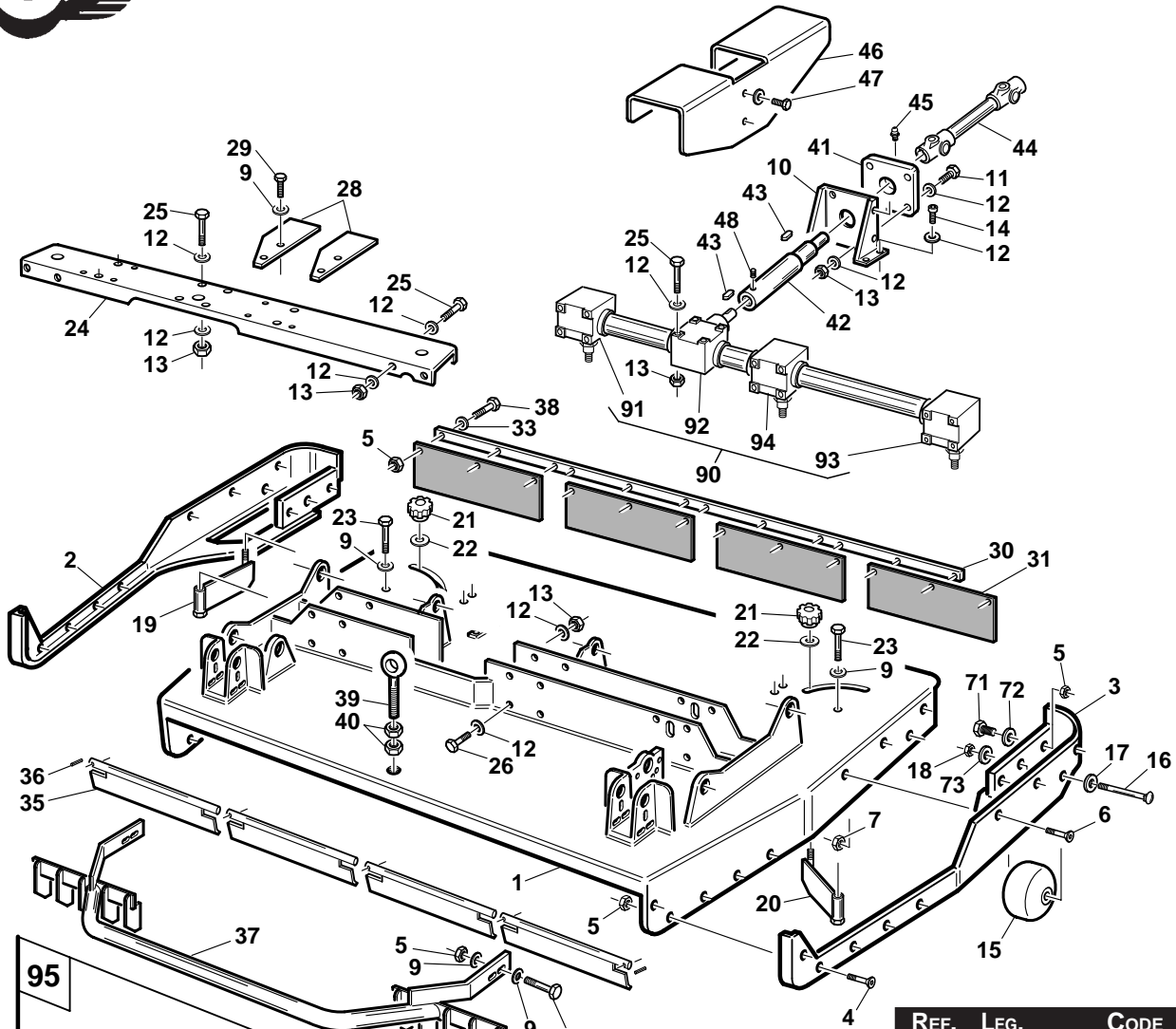
| REF. | LEG. | CODE | Q.TY |
|------|------|---------------|------|
| 49 | | 00.03.10.0020 | 4 |
| 50 | | 01.40.00.3110 | 1 |
| 51 | | 01.40.00.3120 | 1 |
| 52 | | 01.40.00.3130 | 1 |
| 53 | | 01.40.00.3090 | 1 |
| 54 | | 01.40.00.0131 | 4 |
| 55 | | 01.40.00.0132 | 4 |
| 56 | | 00.43.06.0018 | 4 |
| 57 | | 00.03.11.0052 | 4 |
| 58 | | 00.03.21.1052 | 4 |
| 59 | | 00.85.01.0030 | 4 |



cm. 130 - S.P.

A - 33

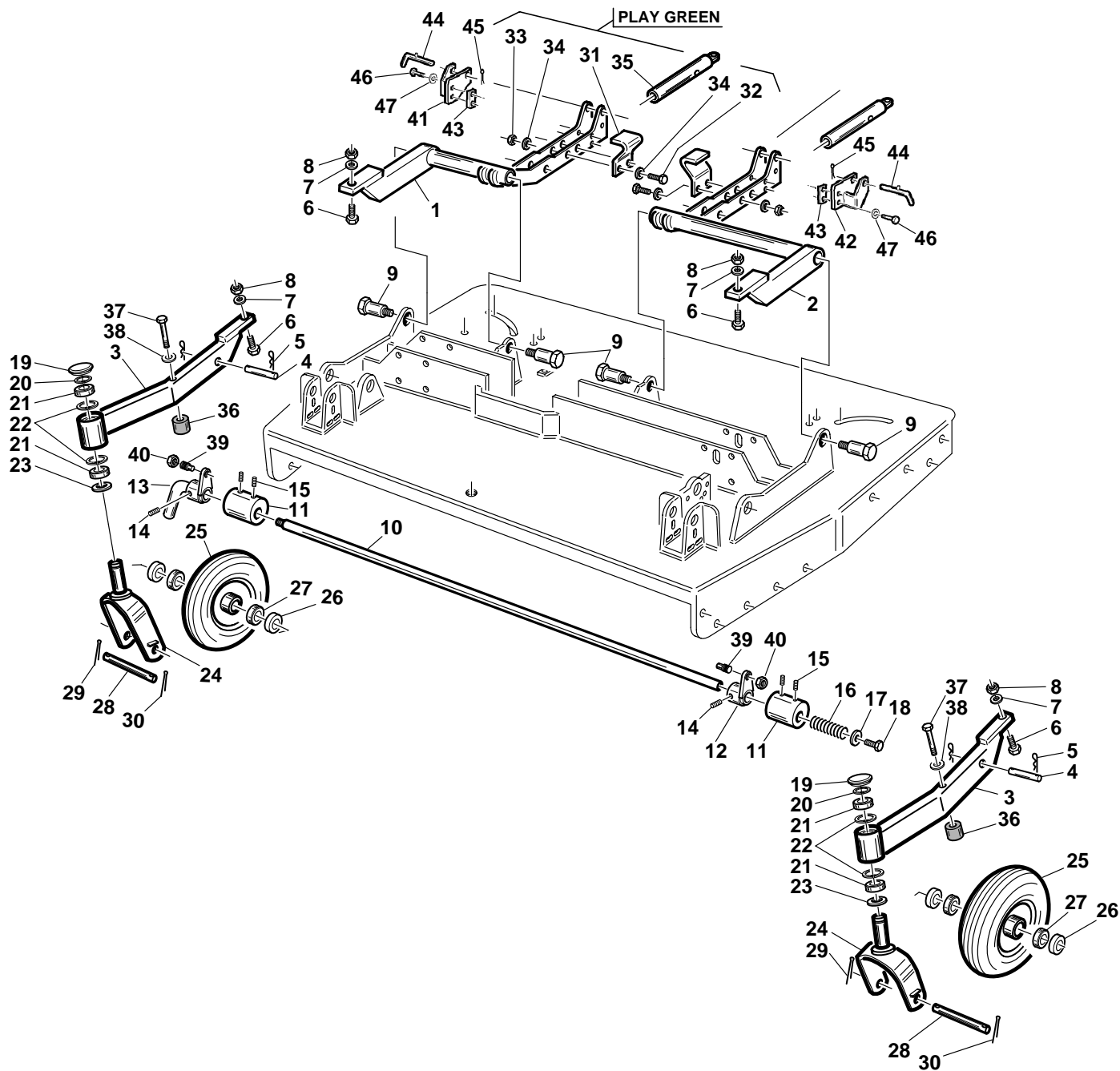
02/09/2003



| REF. | LEG. | CODE | Q.TY |
|------|------|---------------|------|
| 31 | | 01.29.00.0060 | 4 |
| 33 | | 00.68.01.0020 | 8 |
| 35 | | 01.50.00.8510 | 4 |
| 36 | | 00.83.09.1020 | 4 |
| 37 | | 01.50.00.8500 | 1 |
| 38 | | 00.92.05.1080 | 19 |
| 39 | | 00.99.00.0064 | 1 |
| 40 | | 00.26.02.0080 | 2 |
| 41 | | 00.24.01.0250 | 1 |
| 42 | | 01.40.00.3190 | 1 |
| 43 | | 00.43.00.0110 | 2 |
| 44 | | 00.39.00.0040 | 1 |
| 45 | | 00.96.05.0050 | 1 |
| 46 | | 01.50.00.8520 | 1 |
| 47 | | 00.92.03.1040 | 2 |
| 48 | | 00.96.05.0010 | 2 |
| 60 | | 01.50.00.0692 | 3 |
| 61 | | 00.92.06.1060 | 6 |
| 62 | | 01.40.00.1060 | 6 |
| 63 | | 00.48.00.0160 | 6 |
| 64 | | 01.50.00.2740 | 3 |
| 65 | | 00.48.00.0186 | 6 |
| 66 | | 01.40.00.1000 | 6 |
| 67 | | 00.26.04.1100 | 3 |
| 68 | | 01.33.01.0170 | 5 |
| 69 | | 01.33.01.0180 | 6 |
| 70 | | 01.40.00.2360 | 3 |
| 71 | | 00.90.06.3080 | 6 |
| 72 | | 00.68.01.0030 | 6 |
| 73 | | 00.68.01.0050 | 2 |
| 90 | | 01.90.00.1820 | 1 |
| 91 | | 01.90.00.1821 | 1 |
| 92 | | 01.90.00.1822 | 1 |
| 93 | | 01.90.00.1823 | 1 |
| 94 | | 01.90.00.1824 | 1 |
| 95 | | 01.90.00.1814 | 1 |

| REF. | LEG. | CODE | Q.TY |
|------|------|---------------|------|
| 1 | | 01.50.00.8460 | 1 |
| 2 | | 01.50.00.8480 | 1 |
| 3 | | 01.50.00.8490 | 1 |
| 4 | | 00.95.05.0040 | 14 |
| 5 | | 00.26.05.0060 | 39 |
| 6 | | 00.95.05.0020 | 2 |
| 7 | | 00.26.03.0060 | 2 |
| 9 | | 00.58.01.0030 | 14 |
| 10 | | 01.50.00.8630 | 1 |
| 11 | | 00.92.06.0090 | 4 |
| 12 | | 00.68.01.0040 | 25 |
| 13 | | 00.26.04.0070 | 22 |
| 14 | | 00.90.07.0060 | 4 |
| 15 | | 00.72.00.0230 | 2 |
| 16 | | 00.97.02.5120 | 2 |
| 17 | | 00.68.01.0070 | 2 |
| 18 | | 00.26.04.0080 | 8 |

| REF. | LEG. | CODE | Q.TY |
|------|----------|---------------|------|
| 19 | | 01.50.00.6170 | 1 |
| 20 | | 01.50.00.6180 | 1 |
| 21 | | 00.45.00.0008 | 2 |
| 22 | | 00.68.03.0040 | 2 |
| 23 | | 00.92.05.0180 | 2 |
| 24 | | 01.50.00.8640 | 1 |
| 25 | | 00.92.06.0230 | 8 |
| 26 | | 00.92.06.0220 | 6 |
| 28 | | 01.50.00.8670 | 2 |
| 29 | T1-T2-T4 | 00.92.05.1070 | 4 |
| 30 | T1-2-4 | 01.50.00.8660 | 1 |



| REF. | LEG. | CODE | Q.TY |
|------|------|---------------|------|
| 1 | | 01.50.00.8610 | 1 |
| 2 | | 01.50.00.8620 | 1 |
| 3 | | 01.50.00.8600 | 2 |
| 4 | | 01.40.00.3080 | 2 |
| 5 | | 00.18.04.0065 | 4 |
| 6 | | 00.92.08.1100 | 4 |
| 7 | | 00.68.01.0060 | 4 |
| 8 | | 00.26.02.0100 | 4 |
| 9 | | 01.40.00.3140 | 4 |
| 10 | | 01.40.00.3070 | 1 |
| 11 | | 01.40.00.3060 | 2 |
| 12 | | 01.50.00.8590 | 1 |
| 13 | | 01.50.00.8591 | 1 |
| 14 | | 00.83.14.0036 | 2 |
| 15 | | 00.83.14.0055 | 4 |

| REF. | LEG. | CODE | Q.TY |
|------|------|---------------|------|
| 16 | | 00.47.00.0230 | 1 |
| 17 | | 00.68.03.0040 | 1 |
| 18 | | 00.92.05.1040 | 1 |
| 19 | | 00.07.06.0010 | 2 |
| 20 | | 00.03.10.0020 | 2 |
| 21 | | 00.22.00.0210 | 2 |
| 22 | | 00.03.01.0042 | 4 |
| 23 | | 00.68.06.0156 | 2 |
| 24 | | 01.50.00.7200 | 2 |
| 25 | | 00.72.00.0202 | 2 |
| 26 | | 01.30.00.0180 | 4 |
| 27 | | 00.22.00.0230 | 4 |
| 28 | | 01.50.00.0800 | 2 |
| 29 | | 00.18.04.0065 | 2 |
| 30 | | 00.18.04.0075 | 2 |
| 31 | | 01.50.00.8530 | 2 |

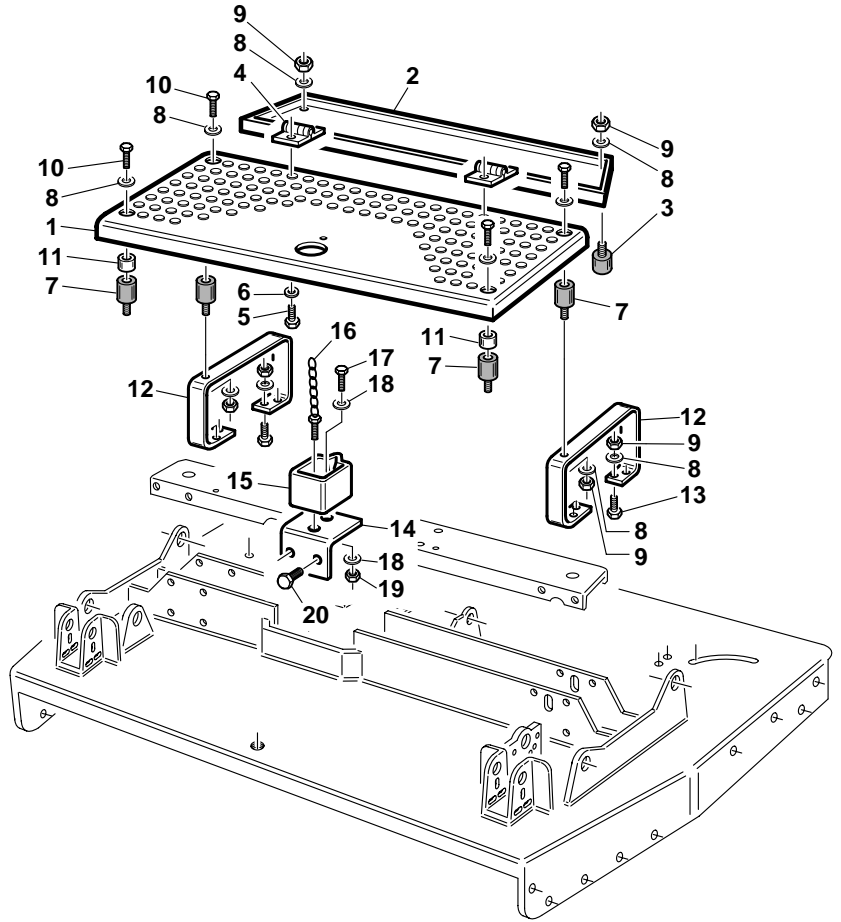
| REF. | LEG. | CODE | Q.TY |
|------|------|---------------|------|
| 32 | | 00.92.05.1080 | 4 |
| 33 | | 00.26.04.0060 | 4 |
| 34 | | 00.68.01.0030 | 8 |
| 35 | | 01.50.00.8531 | 2 |
| 36 | | 00.74.00.4025 | 2 |
| 37 | | 00.92.03.0170 | 2 |
| 38 | | 00.68.01.0020 | 2 |
| 39 | | 00.96.07.0091 | 2 |
| 40 | | 00.26.03.0090 | 2 |
| 41 | | 01.50.00.7550 | 1 |
| 42 | | 01.50.00.7560 | 1 |
| 43 | | 01.50.00.7590 | 2 |
| 44 | | 01.50.00.2441 | 2 |
| 45 | | 00.18.00.1010 | 2 |
| 46 | | 00.92.06.1080 | 4 |
| 47 | | 00.68.07.0080 | 4 |



cm. 130 - S.P.

A - 35

11/11/2002

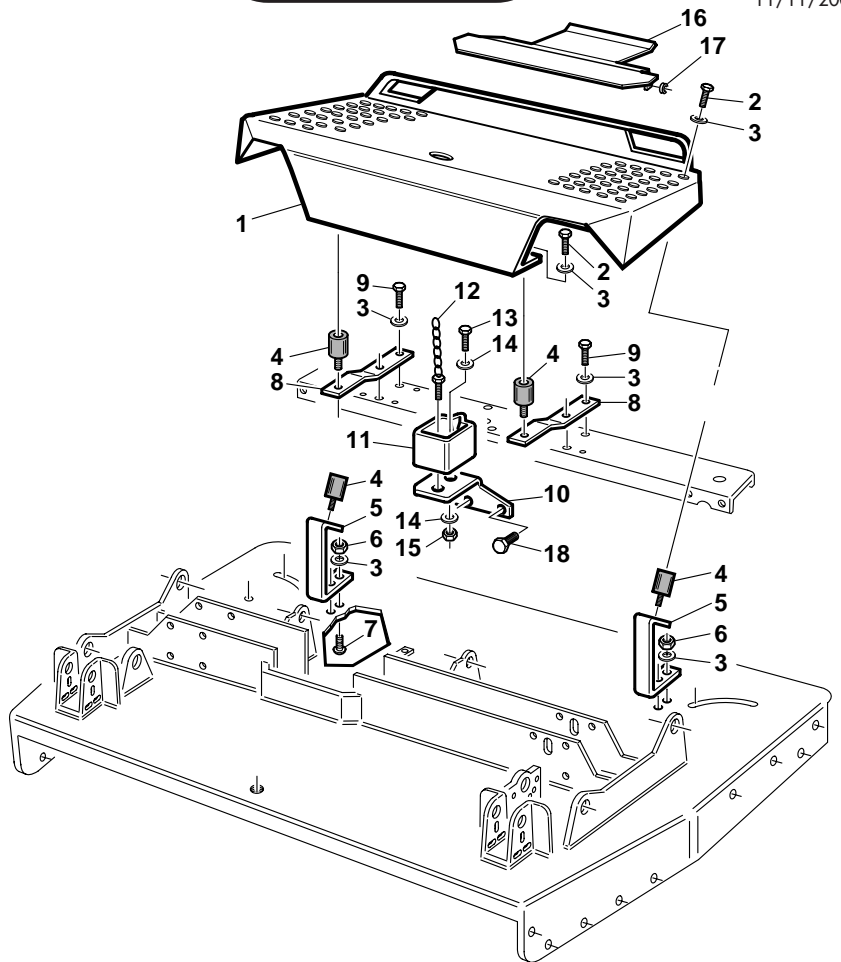


| REF. | LEG. | CODE | Q.TY |
|------|------|---------------|------|
| 1 | | 01.50.00.7260 | 1 |
| 2 | | 01.50.00.7270 | 1 |
| 3 | | 00.74.00.0030 | 2 |
| 4 | | 00.07.02.0020 | 2 |
| 5 | | 00.92.03.1030 | 8 |
| 6 | | 00.68.01.0020 | 8 |
| 7 | | 00.74.03.0070 | 4 |
| 8 | | 00.68.01.0030 | 16 |
| 9 | | 00.26.04.0060 | 6 |
| 10 | | 00.92.05.1100 | 4 |
| 11 | | 01.50.00.0770 | 2 |
| 12 | | 01.50.00.8540 | 2 |
| 13 | | 00.92.05.1070 | 8 |
| 14 | | 01.50.00.8550 | 1 |
| 15 | | 01.50.00.3350 | 1 |
| 16 | | 01.50.00.0830 | 1 |
| 17 | | 00.92.06.1060 | 1 |
| 18 | | 00.68.01.0040 | 2 |
| 19 | | 00.26.04.0070 | 2 |
| 20 | | 00.92.06.0240 | 2 |

cm. 130 - S.P.

A - 36

11/11/2002



| REF. | LEG. | CODE | Q.TY |
|------|------|---------------|------|
| 1 | | 01.50.00.3160 | 1 |
| 2 | | 00.92.05.1080 | 4 |
| 3 | | 00.68.01.0030 | 12 |
| 4 | | 00.74.03.0070 | 4 |
| 5 | | 01.50.00.6570 | 2 |
| 6 | | 00.26.04.0060 | 4 |
| 7 | | 00.90.06.3100 | 4 |
| 8 | | 01.50.00.8560 | 2 |
| 9 | | 00.92.05.1070 | 4 |
| 10 | | 01.50.00.8580 | 1 |
| 11 | | 01.50.00.3350 | 1 |
| 12 | | 01.50.00.0830 | 1 |
| 13 | | 00.92.06.1060 | 1 |
| 14 | | 00.68.01.0040 | 2 |
| 15 | | 00.26.01.0070 | 1 |
| 16 | | 01.50.00.8650 | 1 |
| 17 | | 00.70.01.0033 | 2 |
| 18 | | 00.92.06.0240 | 2 |

03.09.2003



P R O F E S S I O N A L M O W E R S

GIANNI FERRARI s.r.l. • Via Vespucci, 53 (Zona Ind. Ranaro) • 42046 REGGIOLO (RE) Italy • Tel. 0522 / 973697 • Fax 0522 / 973707

www.gianniferrari.com Email: info@gianniferrari.com



**Gianni
Ferrari**

TURBO

TURBO

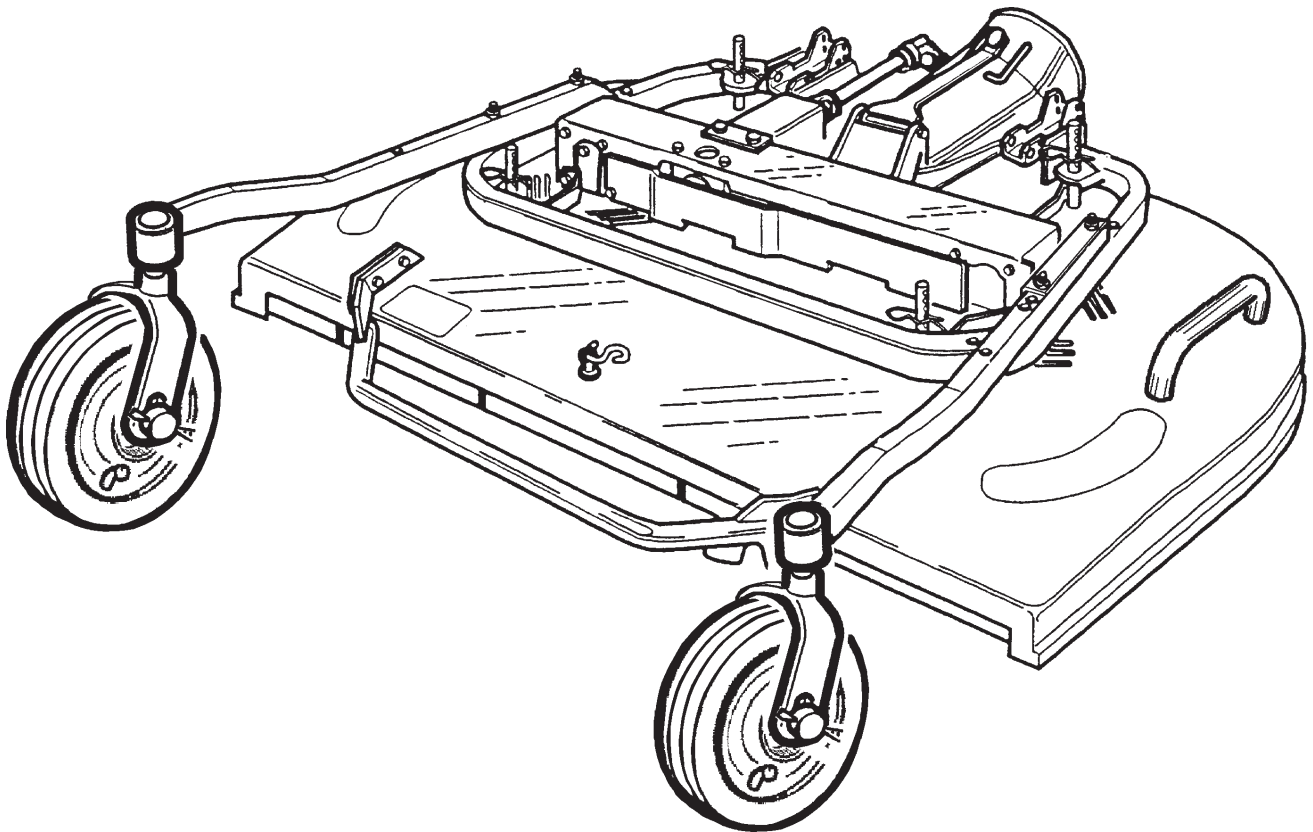
TURBO

A - 28

A - 29

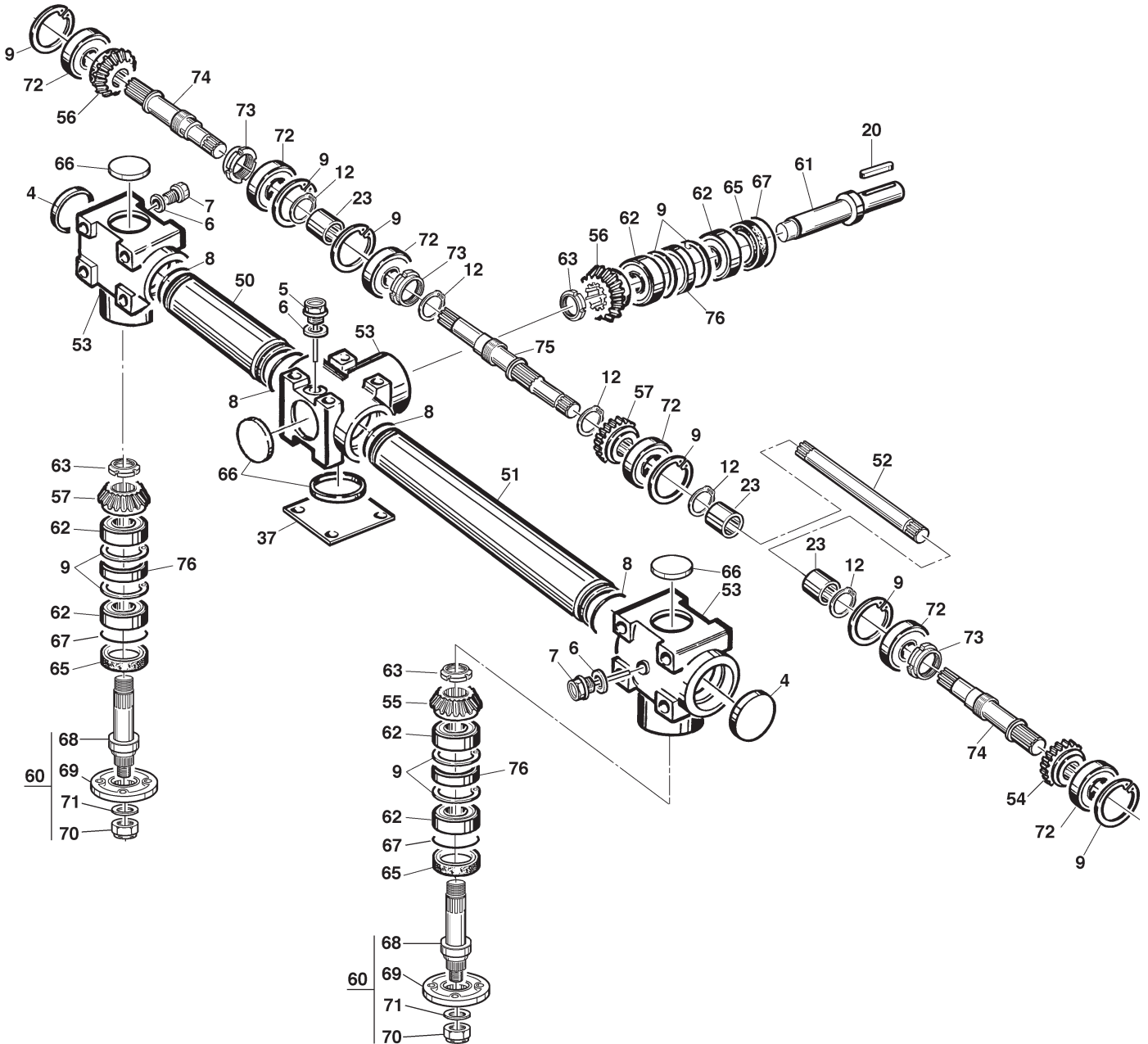
cm. 150 - R.C.

PIATTO CM. 150 SCARICO POSTERIORE
TONDEUSE CM. 150 EJECTION ARRIERE
MÄHWERK CM. 150 MIT HECKAUSWURF
MOWERDECK CM. 150 (60") REAR DISCHARGE



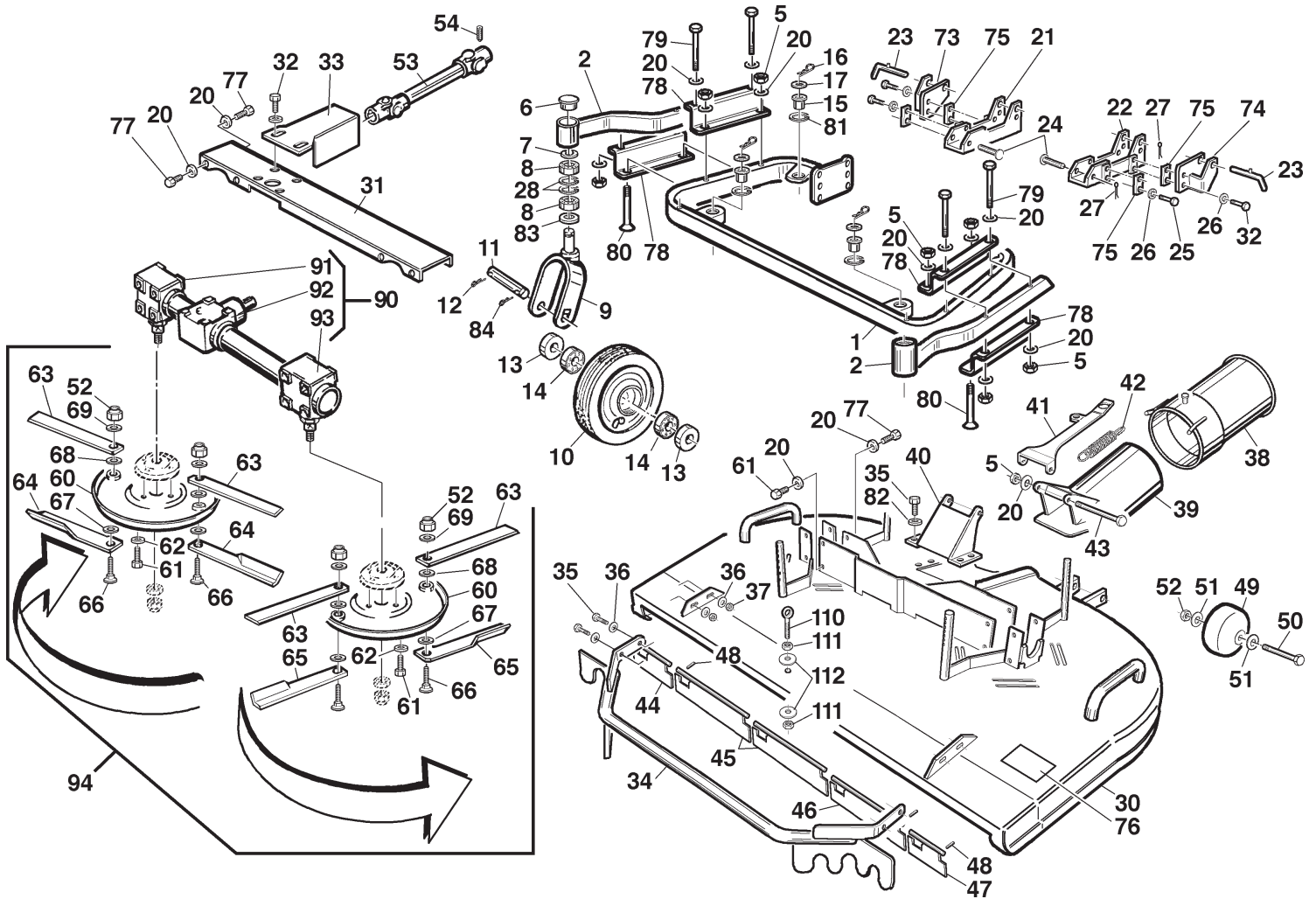
CATALOGO PARTI DI RICAMBIO
CATALOGUE PIECES DETACHEES
ERSATZTEILKATALOG
PARTS MANUAL

01. 2003



| REF. | LEG. | CODE | Q.TY |
|------|------|---------------|------|
| 4 | | 00.07.06.0020 | 2 |
| 5 | | 00.85.01.0031 | 1 |
| 6 | | 00.85.01.0032 | 1 |
| 7 | | 00.85.01.0033 | 2 |
| 8 | | 00.06.04.0490 | 4 |
| 9 | | 00.03.01.0052 | 12 |
| 12 | | 00.03.00.0160 | 4 |
| 20 | | 00.43.00.0110 | 1 |
| 23 | | 01.40.00.0430 | 3 |
| 37 | | 01.50.00.3070 | 1 |
| 50 | | 01.40.00.0423 | 1 |
| 51 | | 01.40.00.0415 | 1 |
| 52 | | 01.40.00.2550 | 1 |
| 53 | | 01.01.00.0280 | 3 |
| 54 | | 01.40.00.2602 | 1 |
| 55 | | 01.40.00.2601 | 1 |
| 56 | | 01.40.00.2603 | 2 |

| REF. | LEG. | CODE | Q.TY |
|------|------|---------------|------|
| 57 | | 01.40.00.2600 | 2 |
| 60 | | 01.40.00.2640 | 2 |
| 61 | | 01.40.00.2620 | 1 |
| 62 | | 00.21.25.5201 | 6 |
| 63 | | 01.40.00.2650 | 3 |
| 65 | | 00.05.38.0052 | 3 |
| 66 | | 00.07.06.0080 | 3 |
| 67 | | 00.03.21.0052 | 3 |
| 68 | | 01.40.00.2641 | 2 |
| 69 | | 01.40.00.2642 | 2 |
| 70 | | 00.26.05.1120 | 2 |
| 71 | | 00.48.00.0186 | 2 |
| 72 | | 00.21.20.5201 | 6 |
| 73 | | 01.40.00.2532 | 3 |
| 74 | | 01.40.00.2631 | 2 |
| 75 | | 01.40.00.2611 | 1 |
| 76 | | 01.40.00.3270 | 3 |



| REF. | LEG. | CODE | Q.TY | REF. | LEG. | CODE | Q.TY | REF. | LEG. | CODE | Q.TY |
|------|------|---------------|------|------|------|---------------|------|------|------|---------------|------|
| 1 | | 01.50.00.7010 | 1 | 34 | | 01.50.00.7130 | 1 | 67 | | 00.48.00.0186 | 4 |
| 2 | | 00.50.00.6230 | 2 | 35 | | 00.92.05.1080 | 4 | 68 | | 00.48.00.0160 | 4 |
| 5 | | 00.26.04.0070 | 13 | 36 | | 00.68.01.0030 | 12 | 69 | | 01.40.00.1010 | 4 |
| 6 | | 00.07.06.0010 | 2 | 37 | | 00.26.04.0060 | 4 | 70 | | 01.50.00.3780 | 1 |
| 7 | | 00.03.10.0020 | 2 | 38 | | 01.50.00.5630 | 1 | 71 | | 01.50.00.3790 | 1 |
| 8 | | 00.22.00.0210 | 8 | 39 | | 01.50.00.5060 | 1 | 72 | | 01.40.00.0610 | 1 |
| 9 | | 01.50.00.1241 | 2 | 40 | | 01.50.00.5063 | 1 | 73 | | 01.50.00.7550 | 1 |
| 10 | | 00.72.00.0200 | 2 | 41 | | 01.50.00.5670 | 1 | 74 | | 01.50.00.7560 | 1 |
| 11 | | 01.50.00.0800 | 2 | 42 | | 00.47.00.0061 | 1 | 75 | | 01.50.00.7590 | 4 |
| 12 | | 00.18.04.0065 | 2 | 43 | | 00.92.06.0250 | 1 | 76 | | 00.87.00.0560 | 1 |
| 13 | | 00.22.00.0230 | 4 | 44 | | 01.50.00.7050 | 1 | 77 | | 00.92.06.1060 | 8 |
| 14 | | 01.30.00.0180 | 4 | 45 | | 01.50.00.7170 | 2 | 78 | | 01.50.00.8300 | 4 |
| 15 | | 01.40.00.2540 | 4 | 46 | | 01.50.00.7180 | 1 | 79 | | 00.92.06.0170 | 4 |
| 16 | | 00.18.00.1050 | 4 | 47 | | 01.50.00.7060 | 1 | 80 | | 00.95.06.0140 | 4 |
| 17 | | 00.68.01.0090 | 4 | 48 | | 00.83.09.1020 | 2 | 81 | | 00.03.00.0260 | 4 |
| 20 | | 00.68.01.0040 | 34 | 49 | | 00.72.00.0230 | 2 | 82 | | 00.68.08.0170 | 4 |
| 21 | | 01.50.00.2930 | 1 | 50 | | 00.92.07.0230 | 2 | 83 | | 00.68.06.0156 | 2 |
| 22 | | 01.50.00.2940 | 1 | 51 | | 00.68.01.0050 | 4 | 84 | | 00.18.04.0075 | 2 |
| 23 | | 01.50.00.2441 | 2 | 52 | | 00.26.04.0080 | 6 | 90 | | 01.90.00.0420 | 1 |
| 24 | | 01.50.00.2950 | 2 | 53 | | 00.39.00.0040 | 1 | 91 | | 01.90.00.0422 | 1 |
| 25 | | 00.92.06.1100 | 4 | 54 | | 00.96.05.0050 | 1 | 92 | | 01.90.00.0421 | 1 |
| 26 | | 00.68.07.0080 | 8 | 60 | | 01.50.00.2741 | 2 | 93 | | 01.90.00.0423 | 1 |
| 27 | | 00.18.00.1010 | 4 | 61 | | 00.92.06.1040 | 16 | 94 | | 01.90.00.1584 | 1 |
| 28 | | 00.03.01.0042 | 4 | 62 | | 00.68.01.0040 | 8 | 110 | | 00.99.00.0064 | 1 |
| 30 | | 01.50.00.7030 | 1 | 63 | | 01.33.01.0140 | 4 | 111 | | 00.26.02.0080 | 2 |
| 31 | | 01.50.00.7040 | 1 | 64 | | 01.33.01.0100 | 2 | 112 | | 00.68.02.0070 | 2 |
| 32 | | 00.92.06.1080 | 4 | 65 | | 01.33.01.0110 | 2 | | | | |
| 33 | | 01.50.00.5830 | 1 | 66 | | 01.40.00.1000 | 4 | | | | |

01.01.2003



P R O F E S S I O N A L M O W E R S

GIANNI FERRARI s.r.l. • Via Vespucci, 53 (Zona Ind. Ranaro) • 42046 REGGIOLO (RE) Italy • Tel. 0522 / 973697 • Fax 0522 / 973707

www.gianniferrari.com Email: info@gianniferrari.com